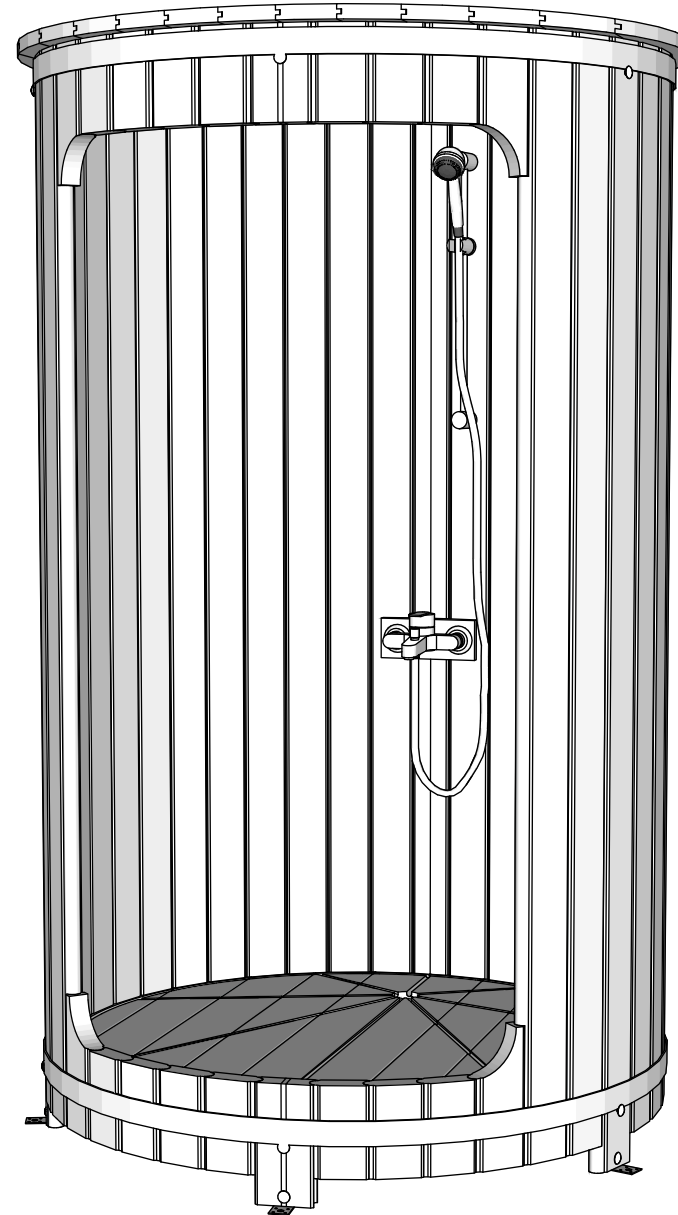




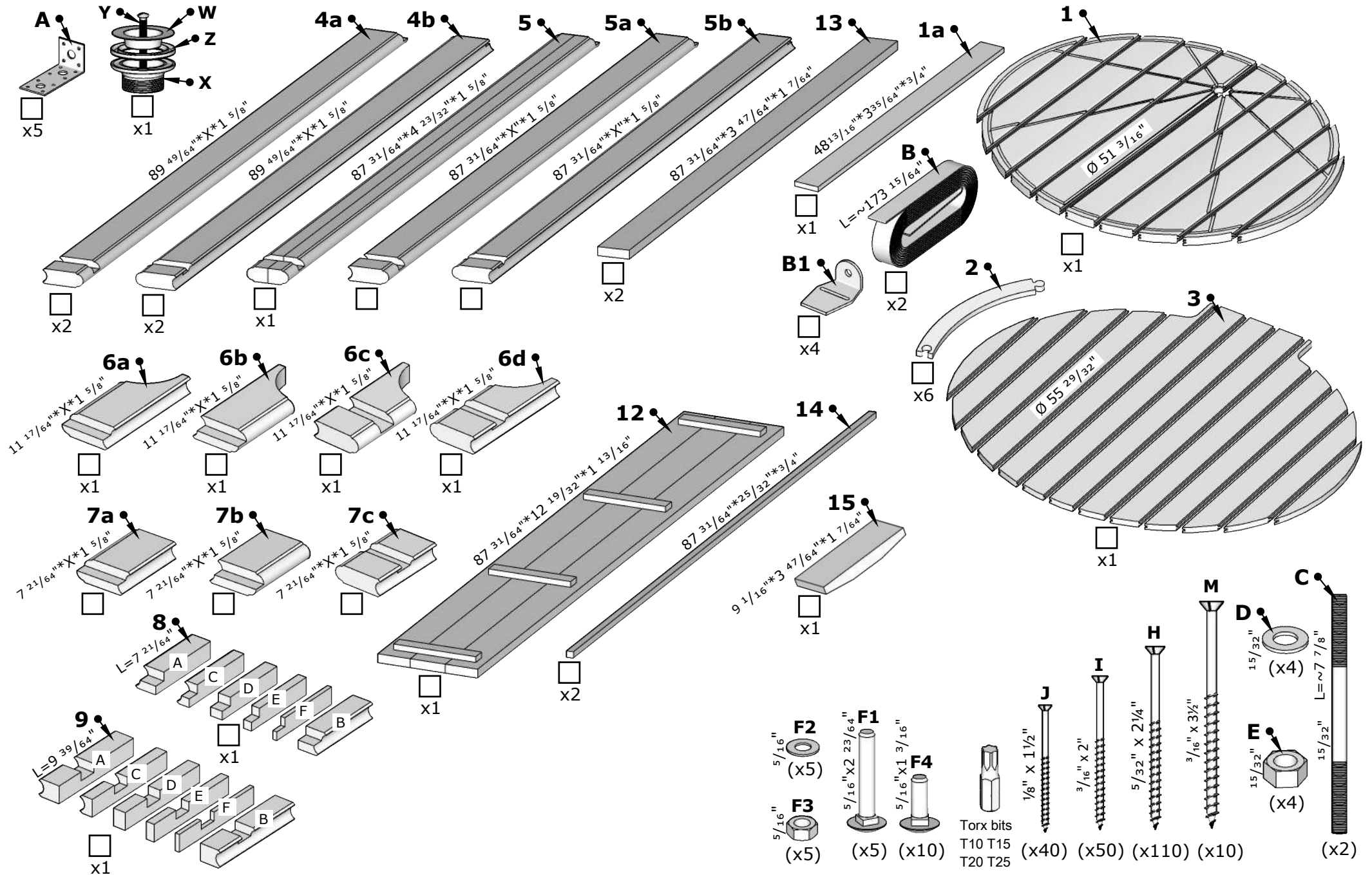
Rain-Series Model R3
Outdoor Barrel Shower



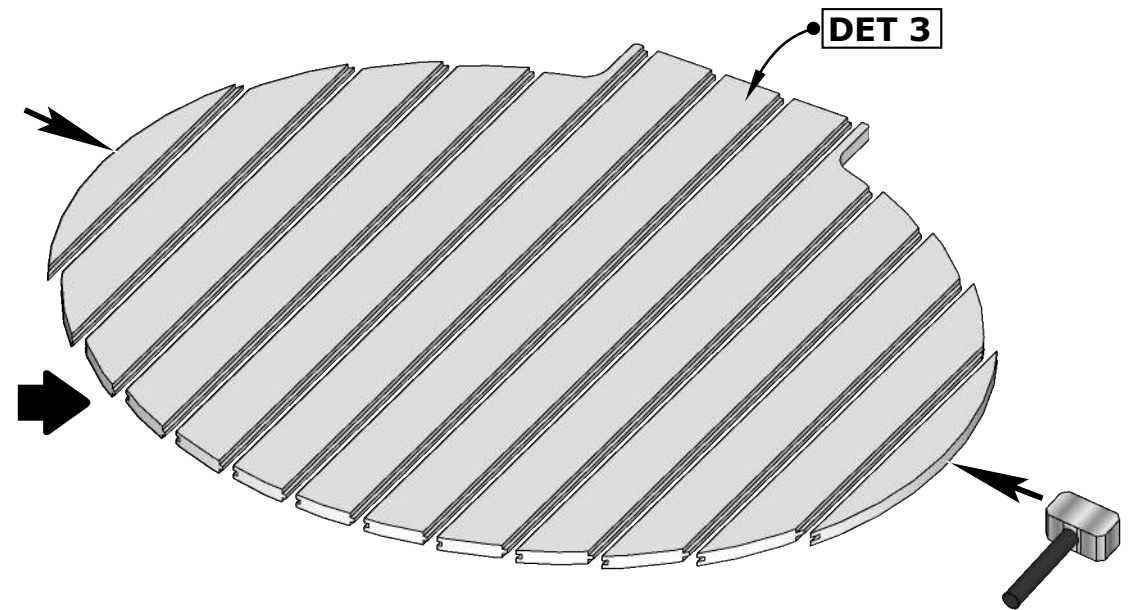
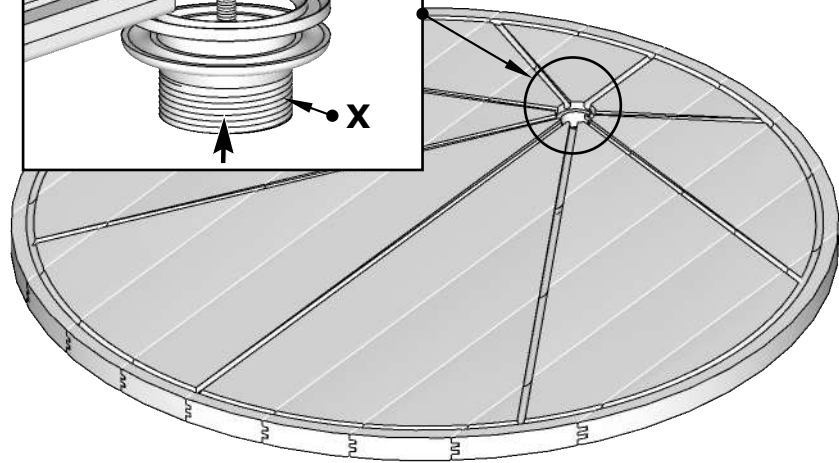
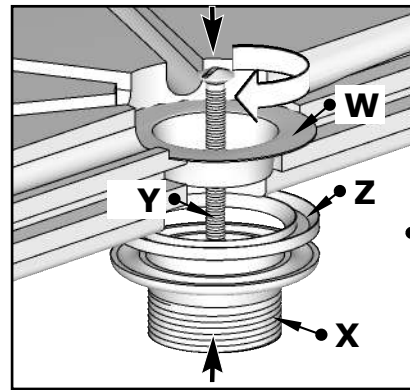
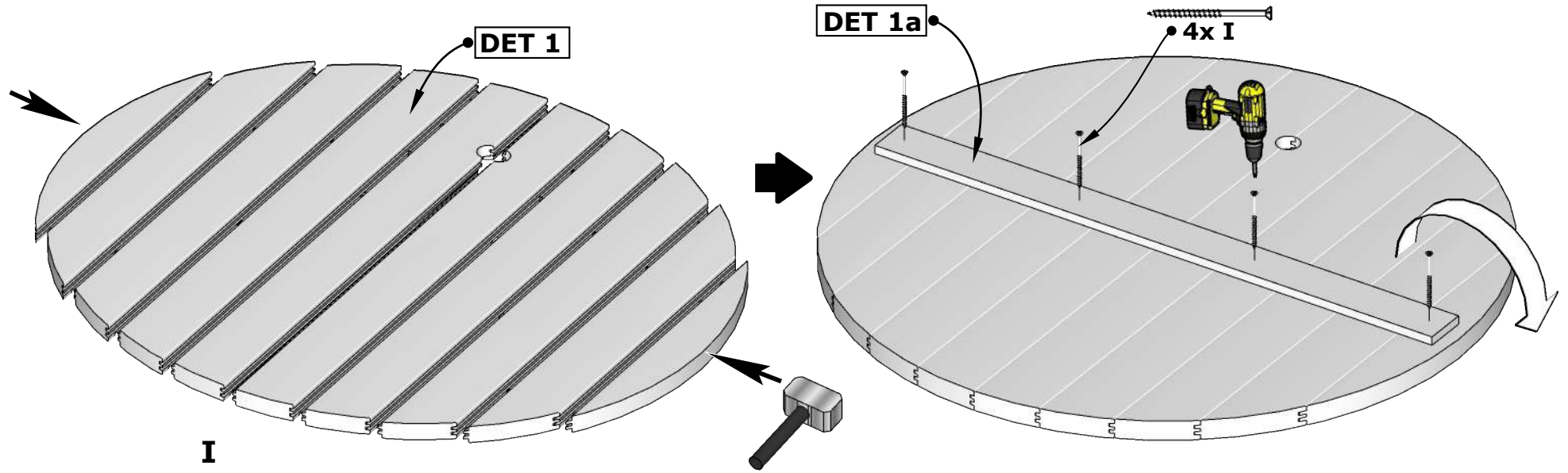
IMPORTANT: Please read entire manual before starting.

Model R3 Shower Barrel

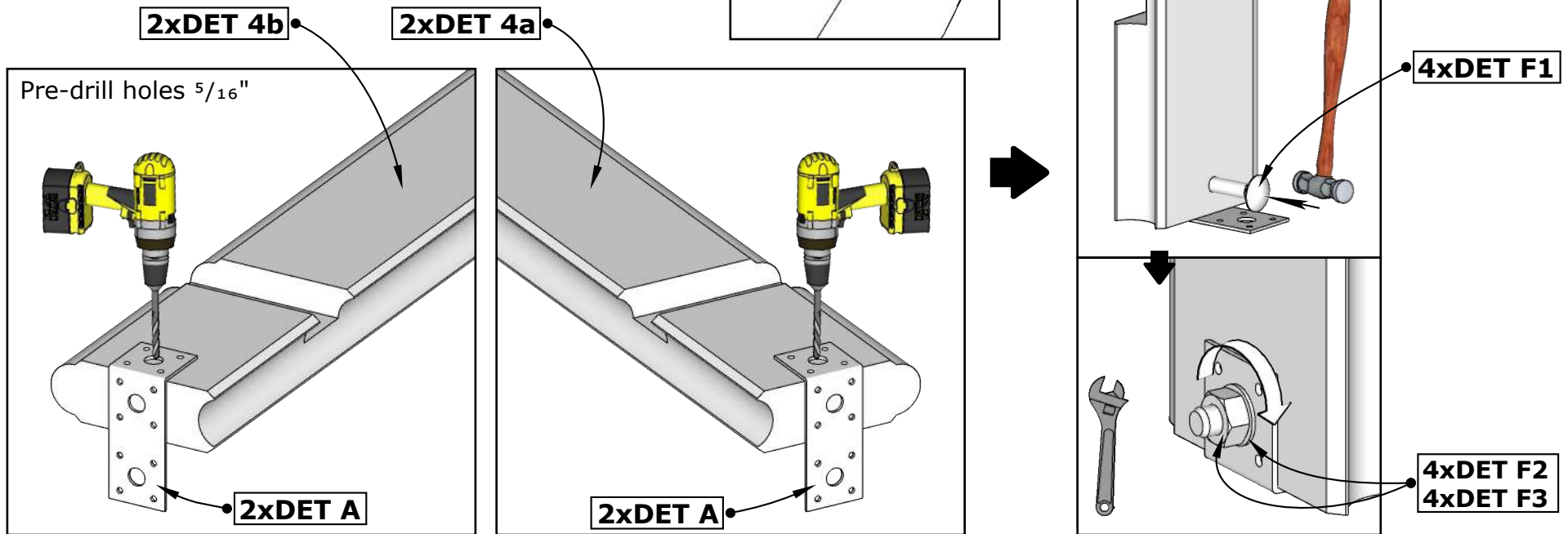
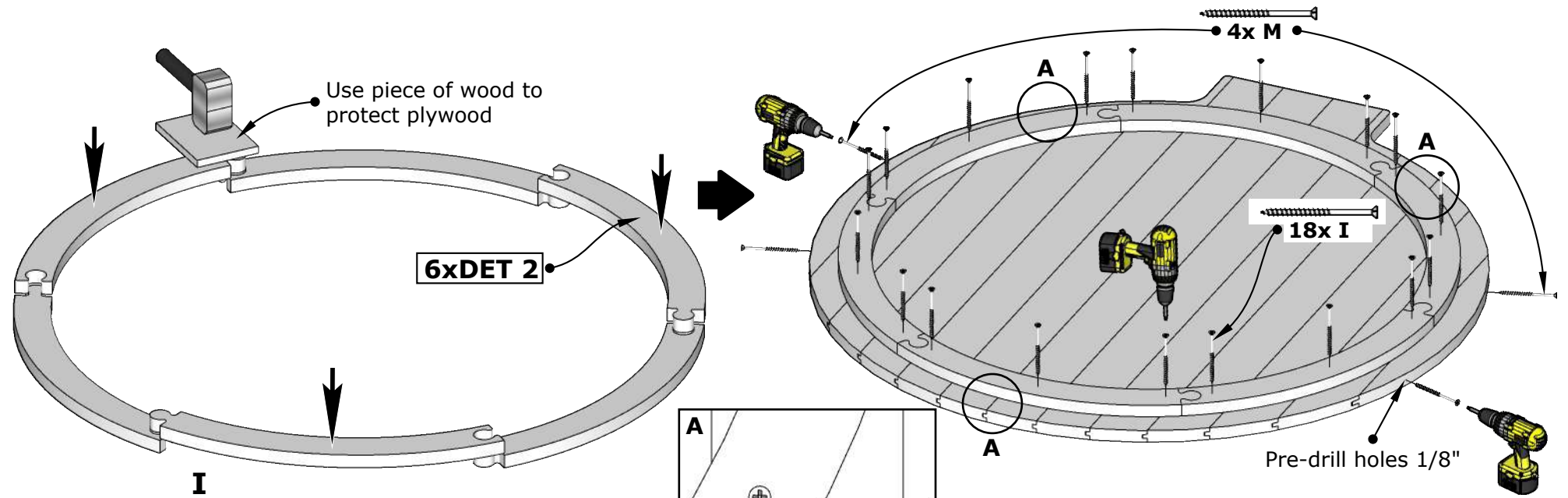
Details List



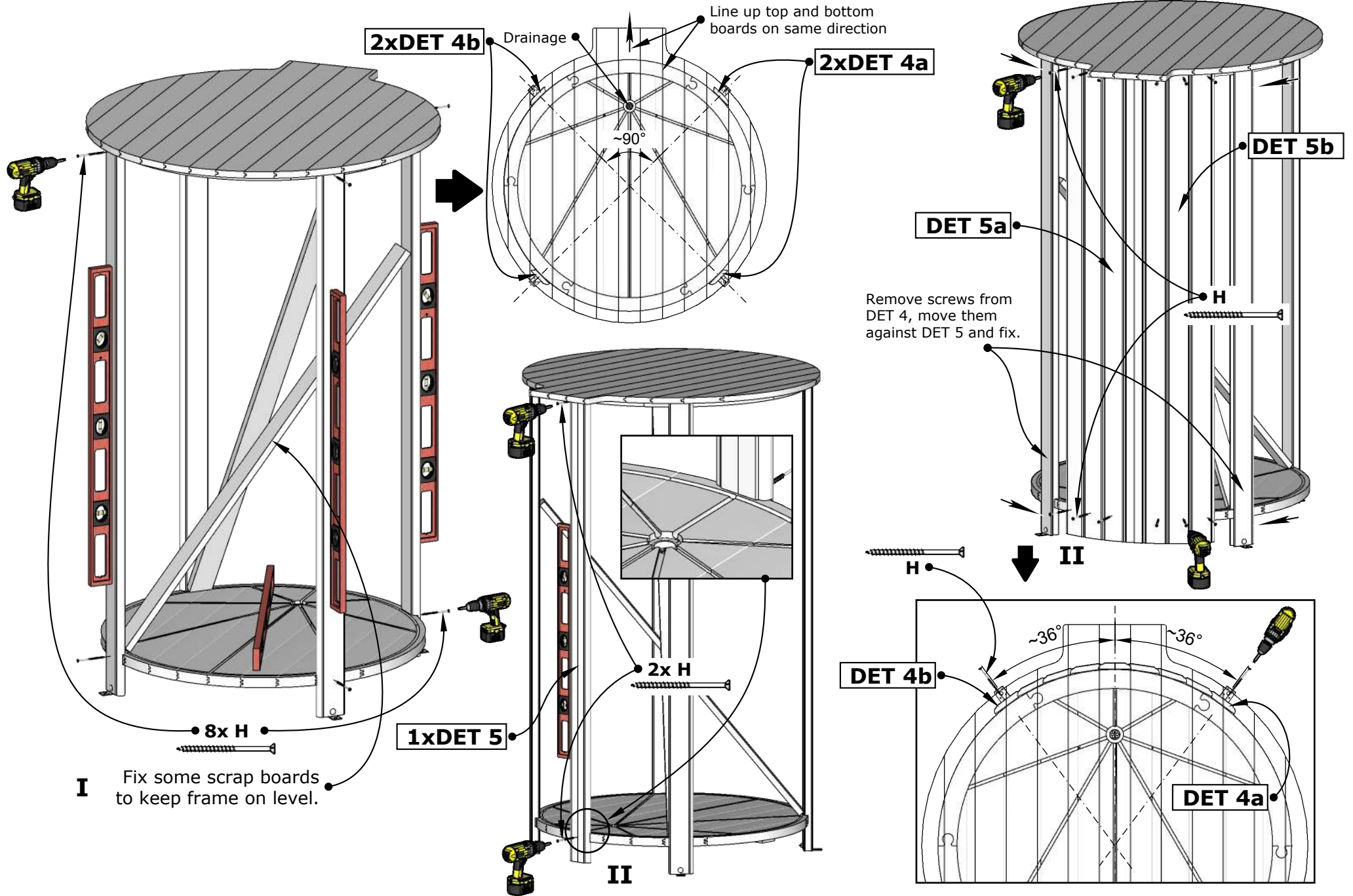
Model R3 Shower Barrel



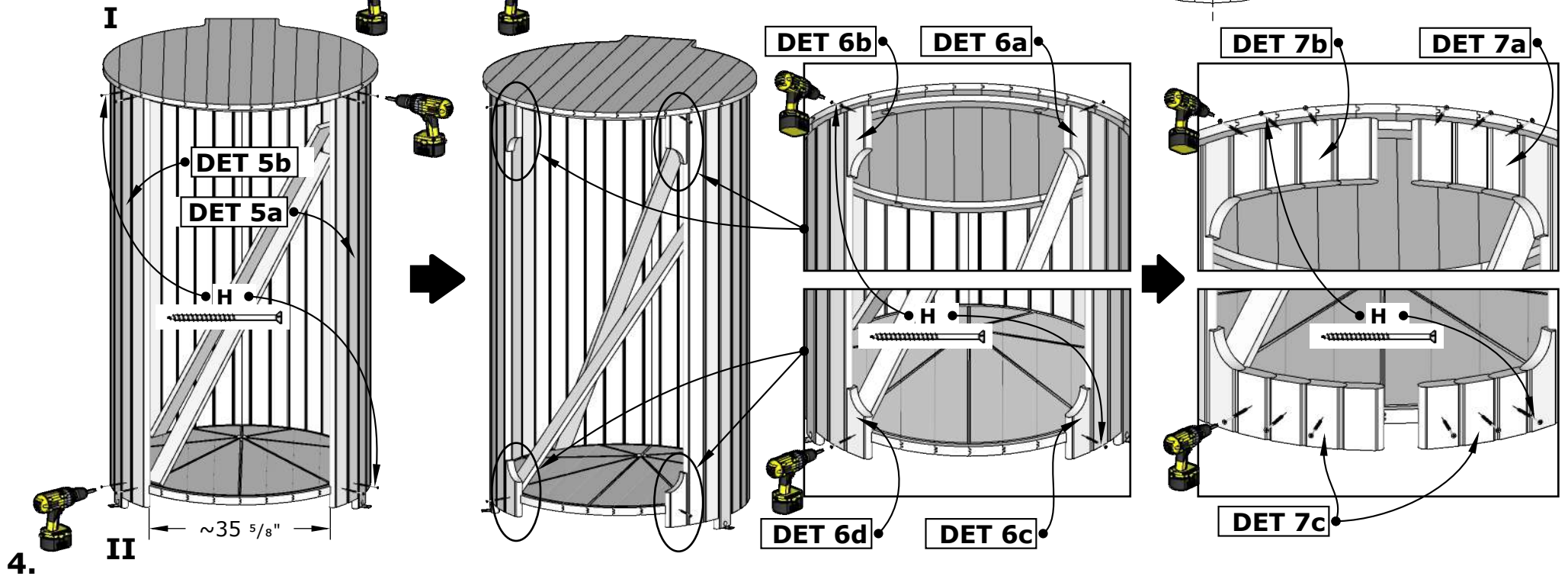
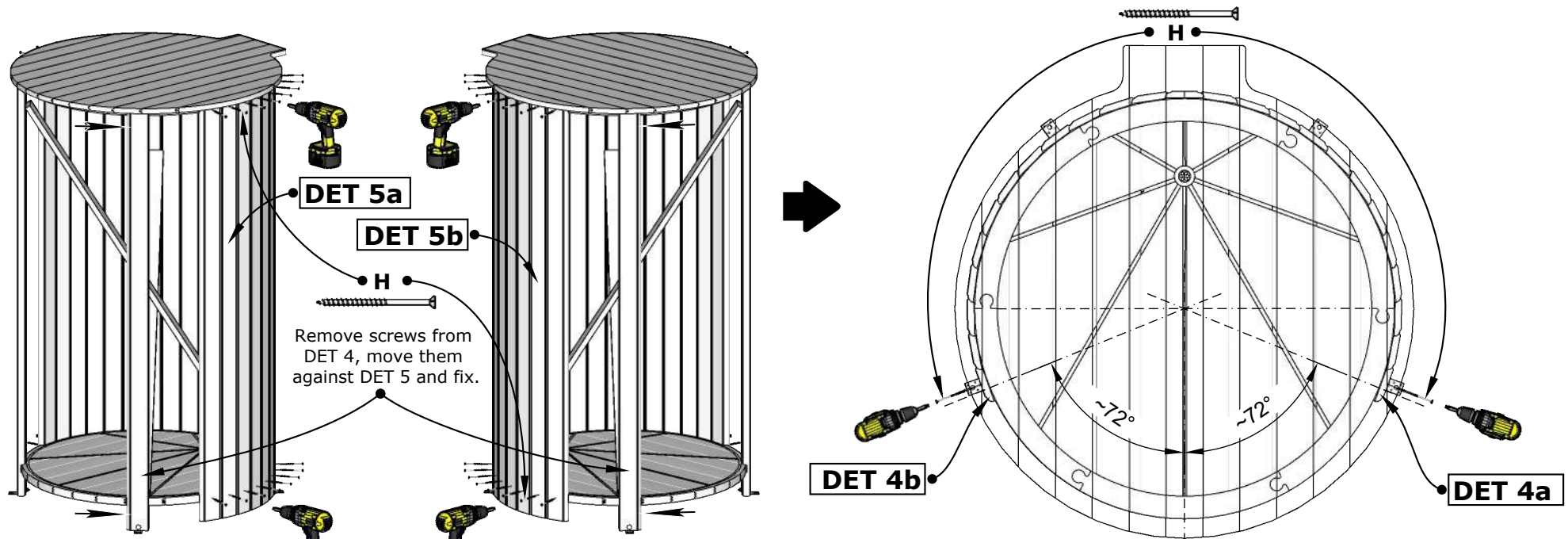
Model R3 Shower Barrel



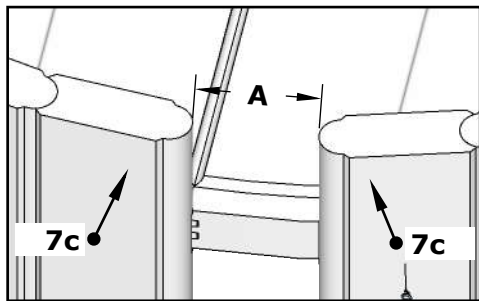
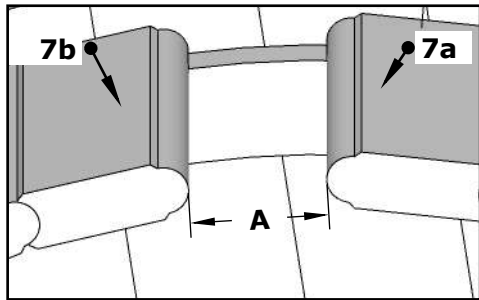
Model R3 Shower Barrel



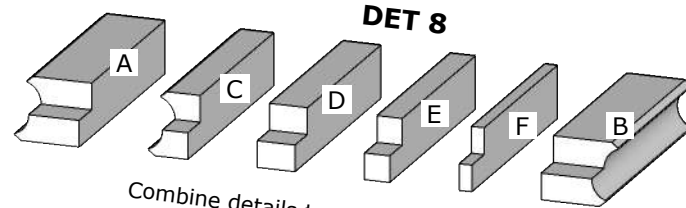
Model R3 Shower Barrel



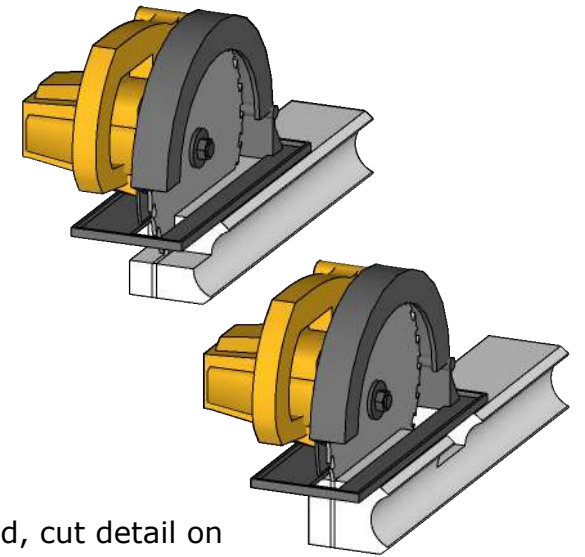
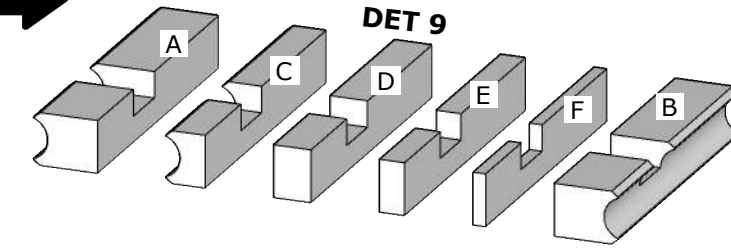
Model R3 Shower Barrel



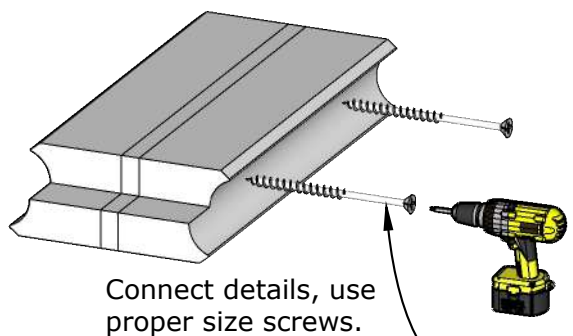
I



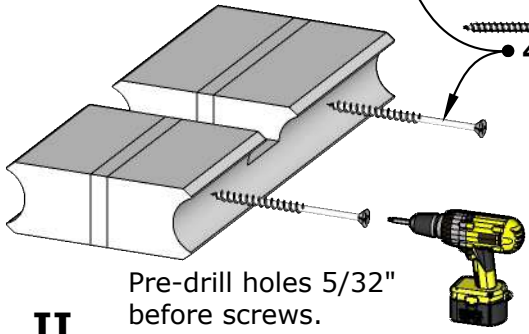
Combine details to get closest match to **A** value. It's recommended that combined details **A** value is slightly bigger than measurement.



If needed, cut detail on right side.



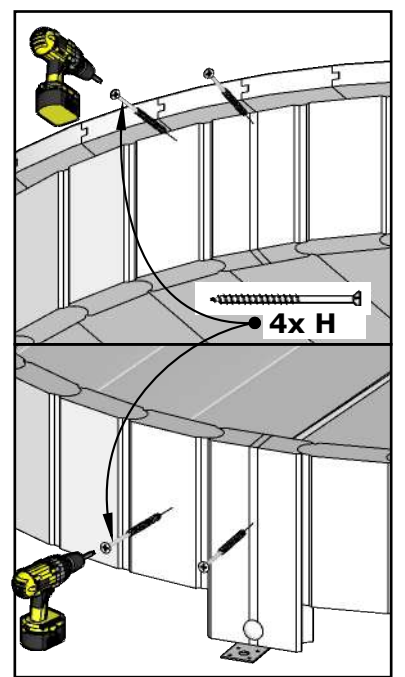
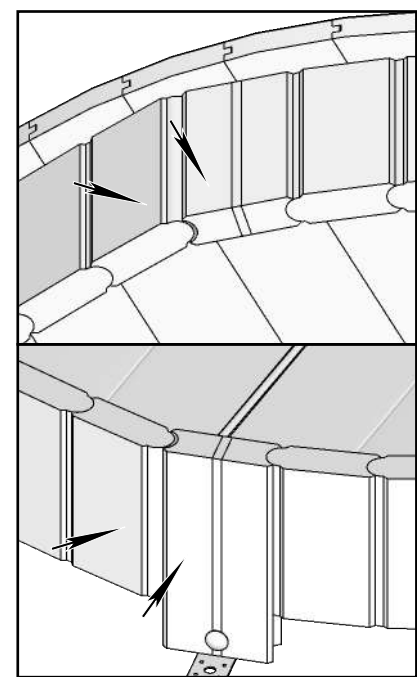
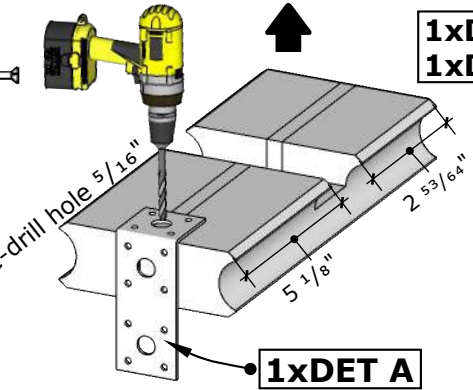
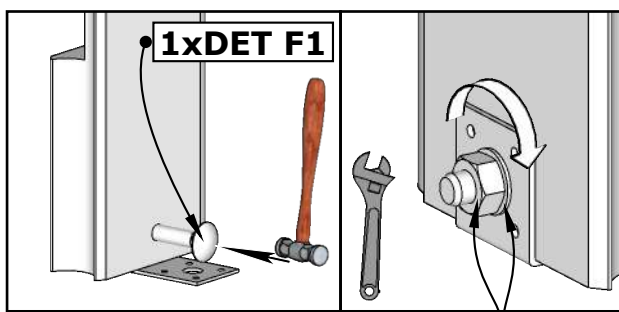
Connect details, use proper size screws.



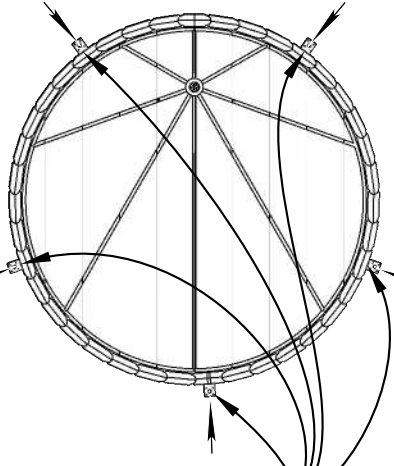
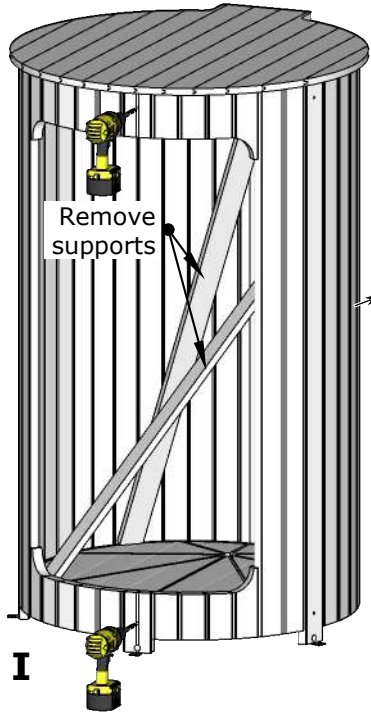
Pre-drill holes $5/32''$ before screws.

5.

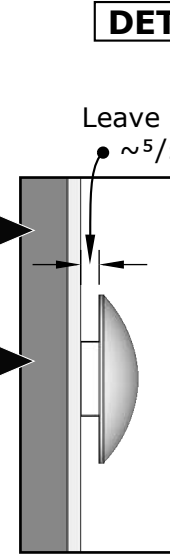
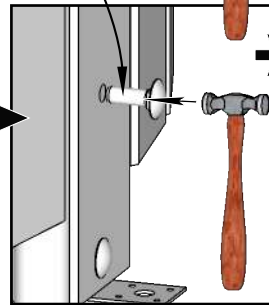
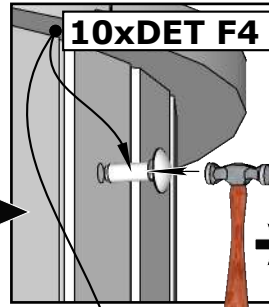
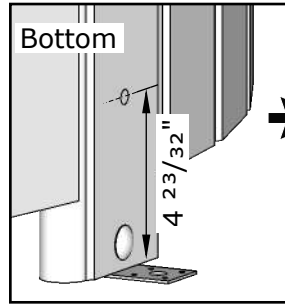
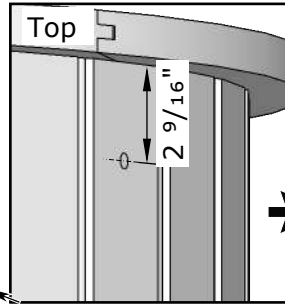
II



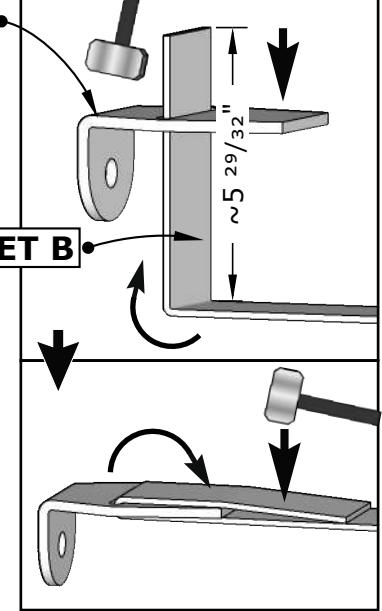
Model R3 Shower Barrel



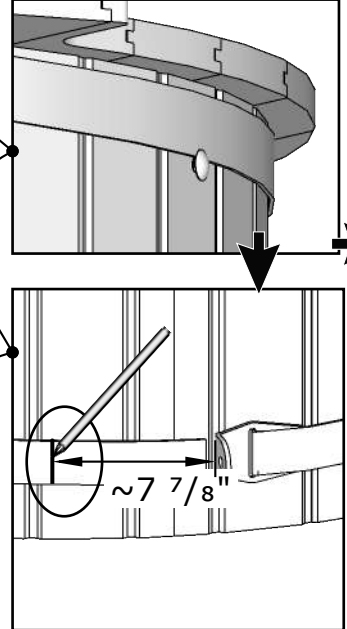
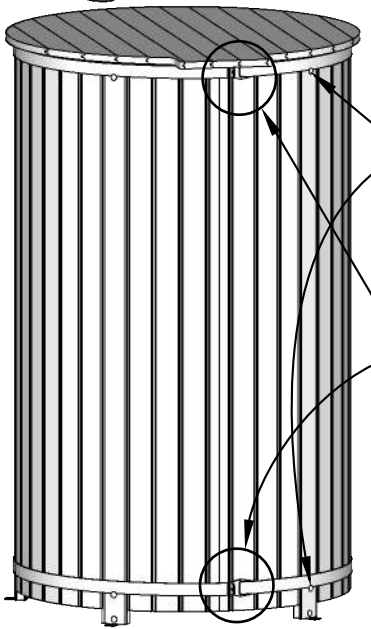
Pre-drill holes $\frac{5}{16}$ " into the leg details, $1\frac{3}{8}$ " deep. Please be careful, do not drill through material!



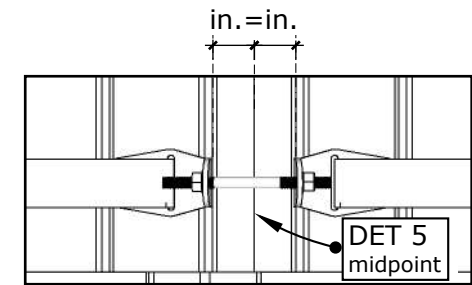
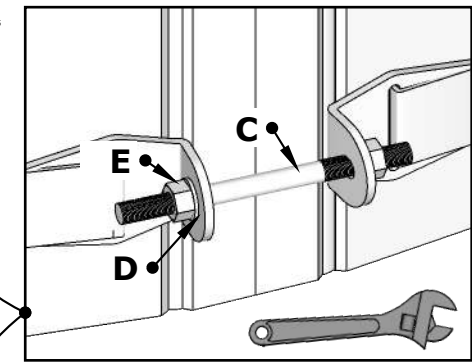
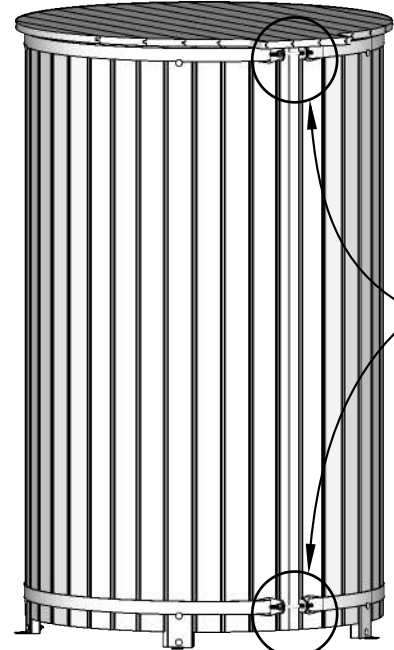
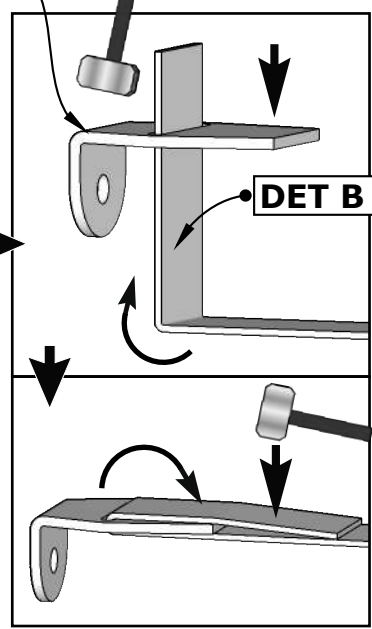
DET B1



II



DET B1



Model R3 Shower Barrel

