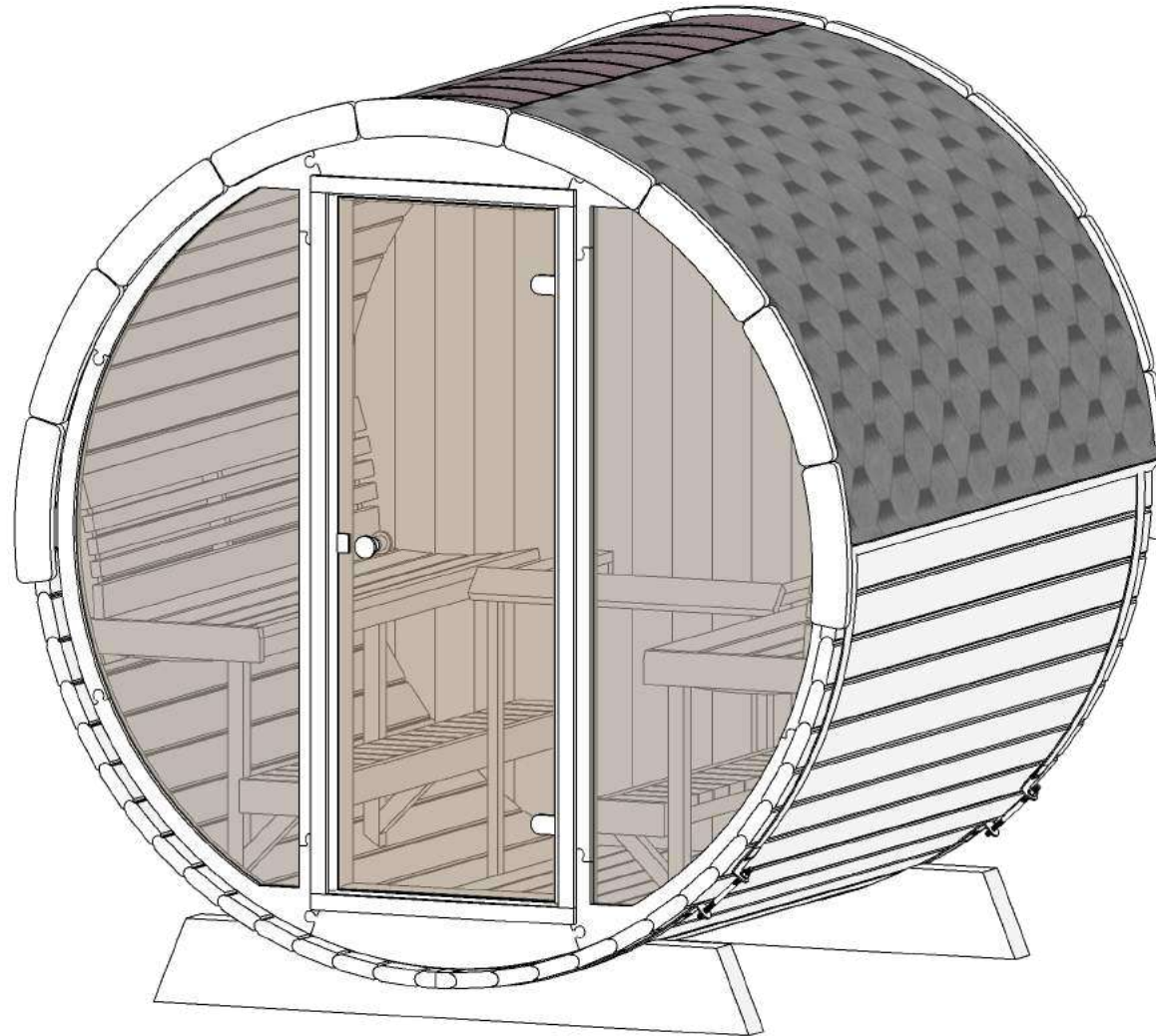




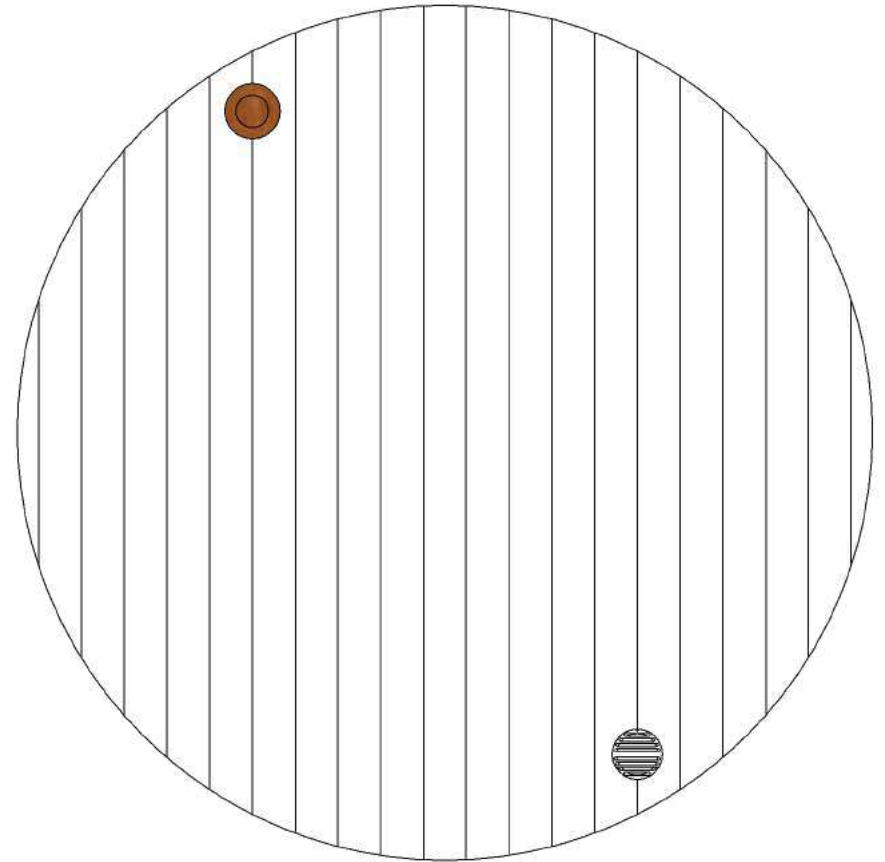
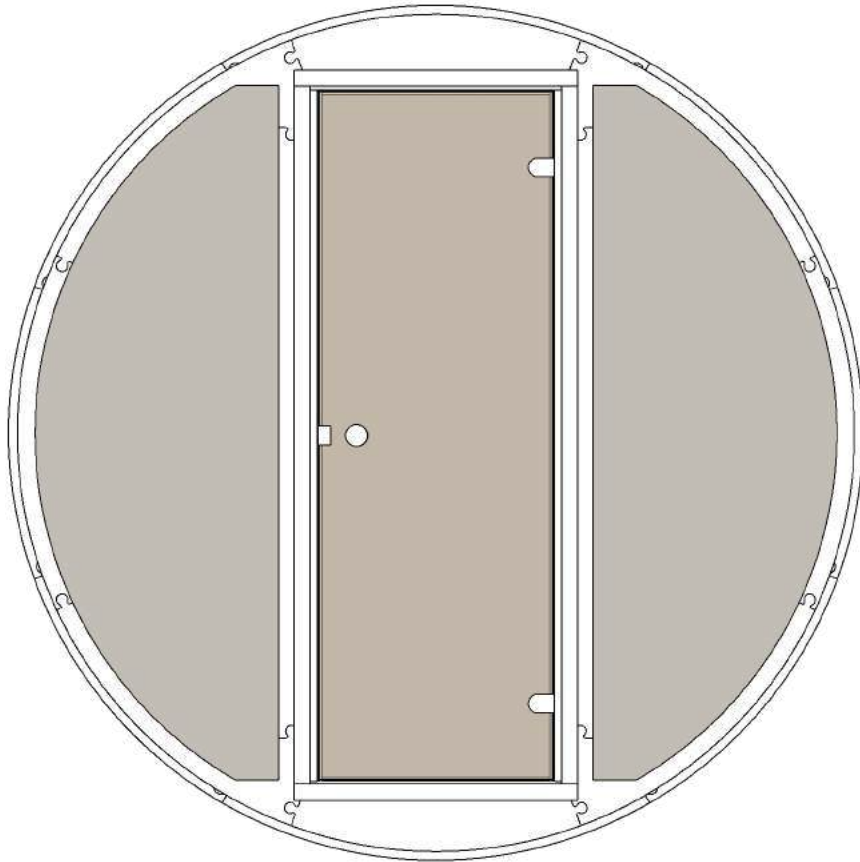
Ergo-Series EE8G Barrel Sauna
Full Glass Front 79D" x 90H"



Note: Please read manual before construction

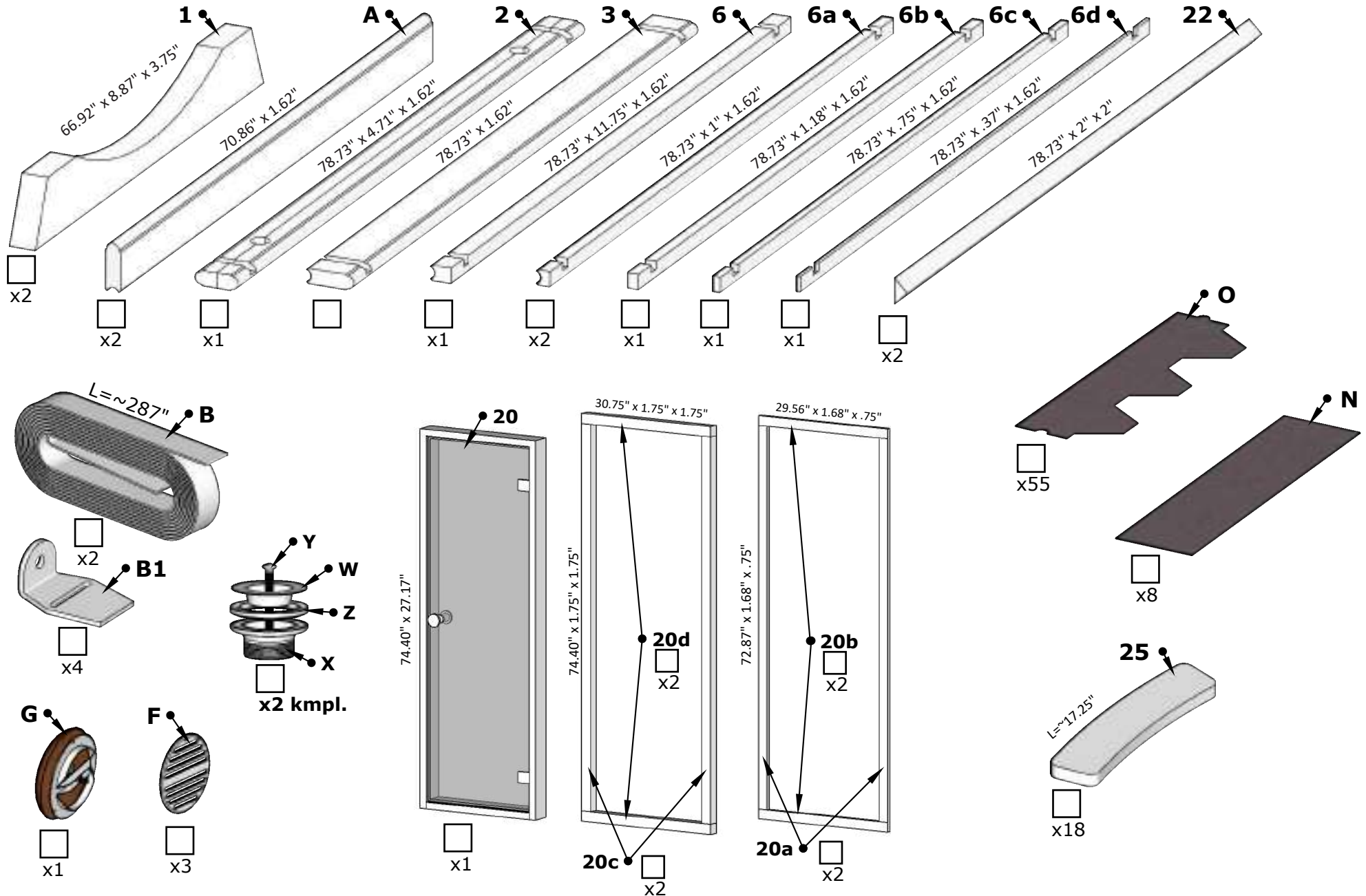
Rev: (1.0)7/2023

Front & Back Walls



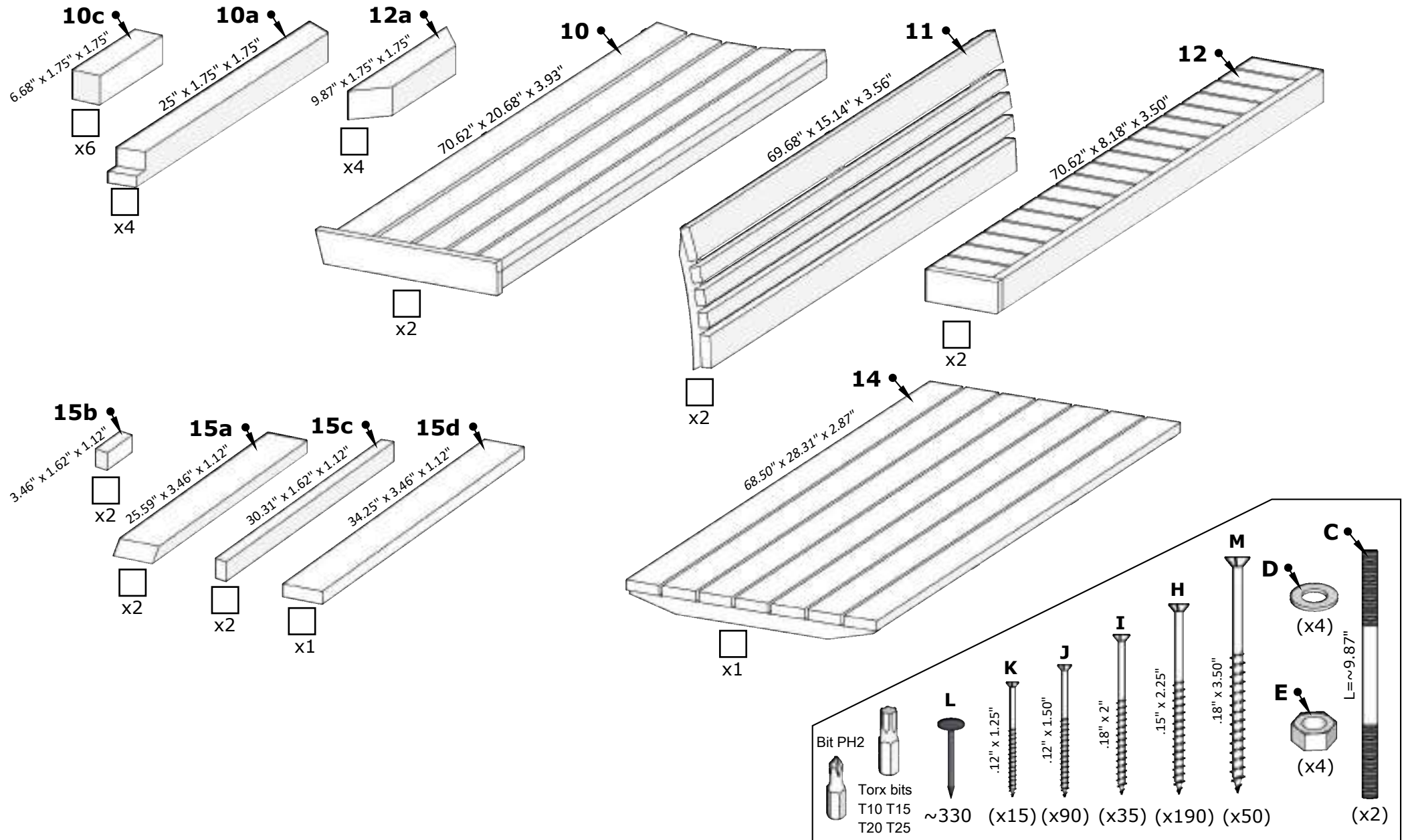
EE8G Barrel Sauna 79D" x 90H"

Details list. 1



EE8G Barrel Sauna 79D" x 90H"

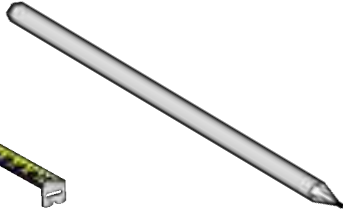
Details list. 2



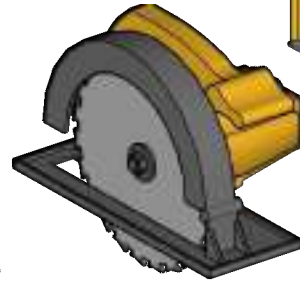
Tools needed



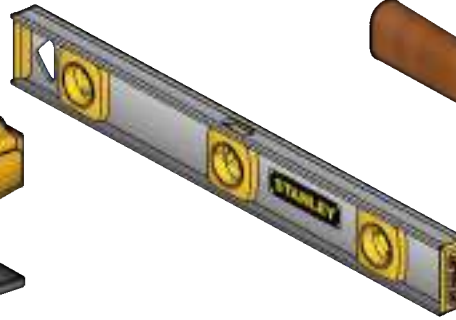
Measuring tape



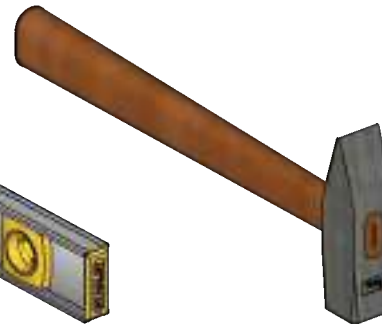
Marker pen



Circular saw



Water level



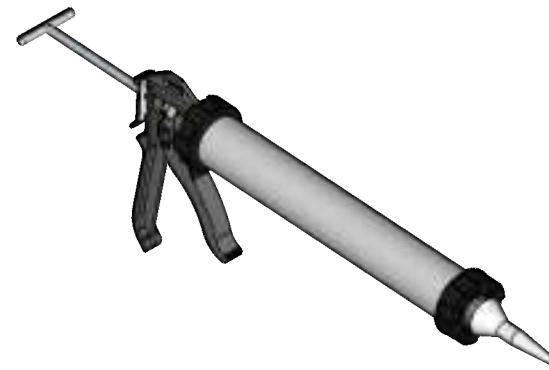
Hammer



Extra hands



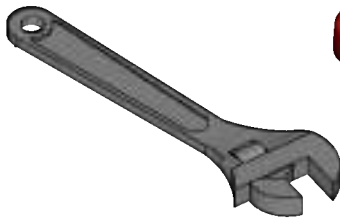
Ratchet strap



Silicone gun
(Only glass-wall models)



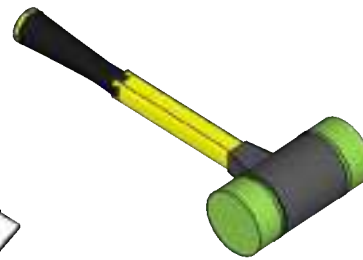
Drill



Crescent wrench

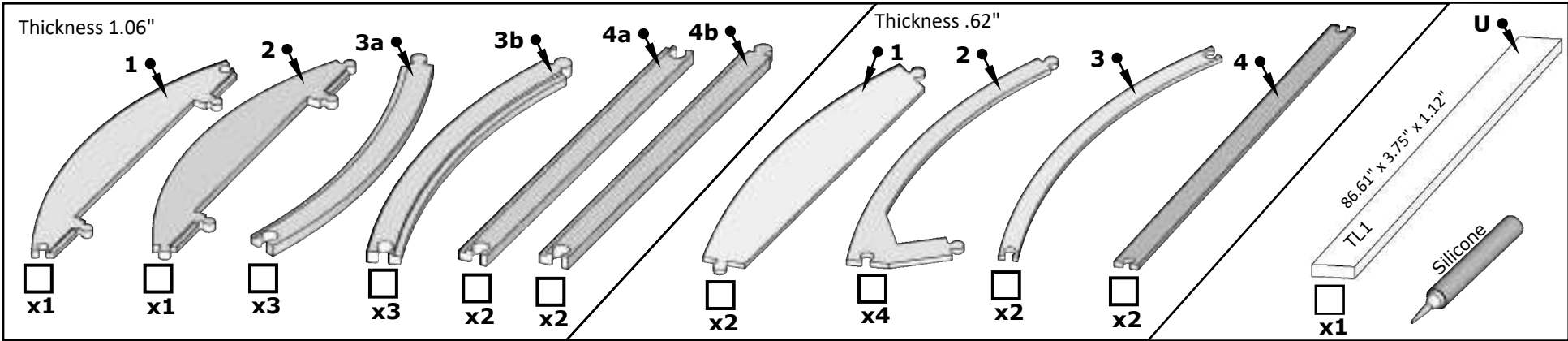


Utility knife

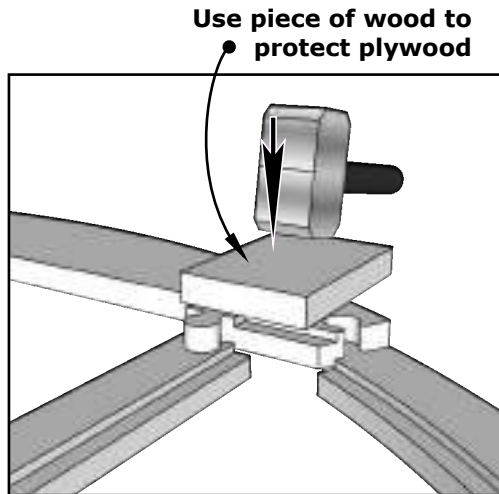
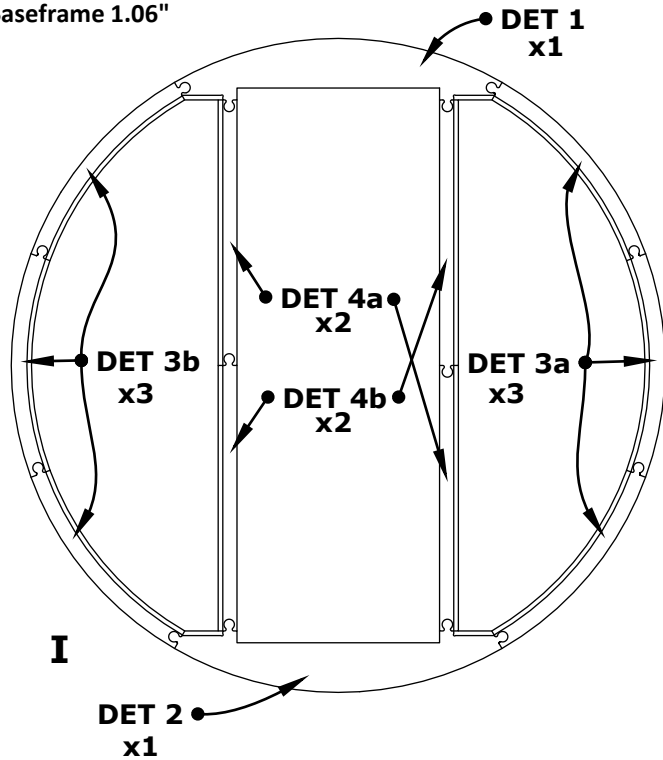


Rubber mallet

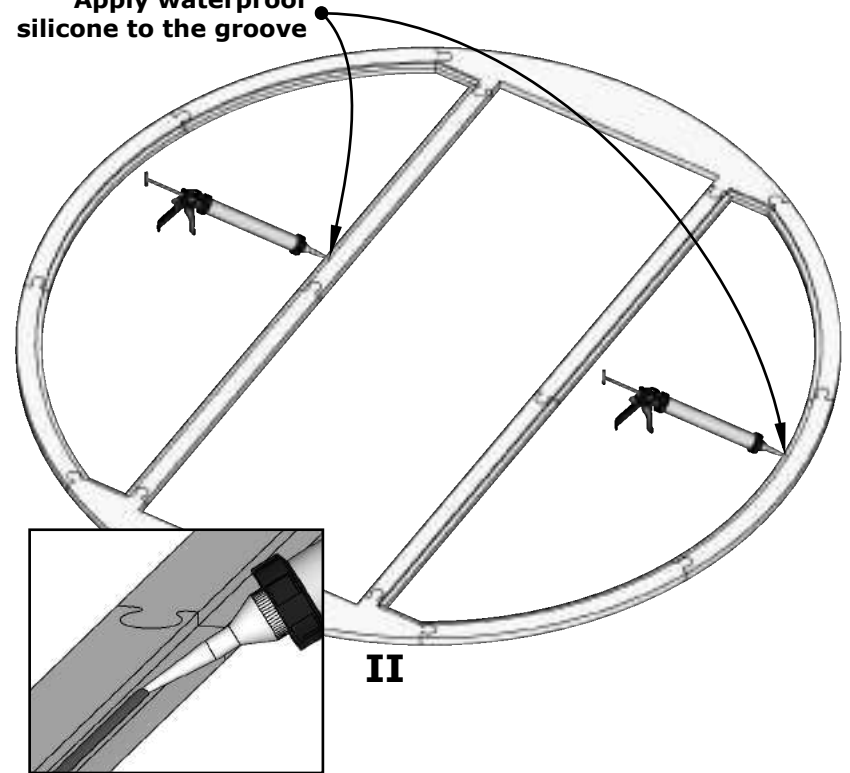
Front glass wall installation



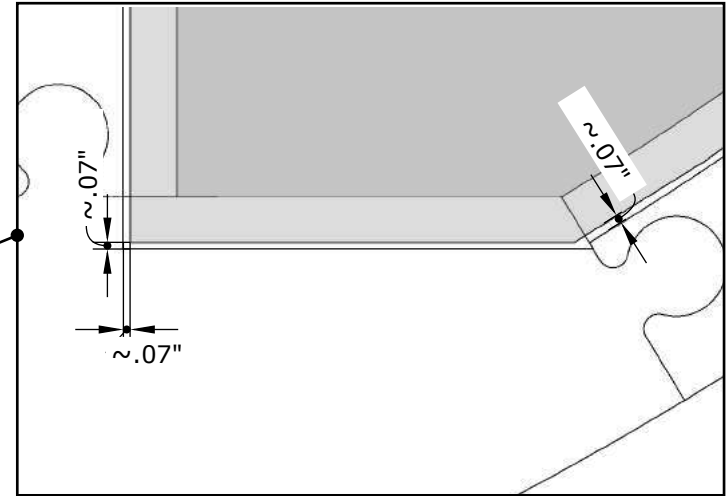
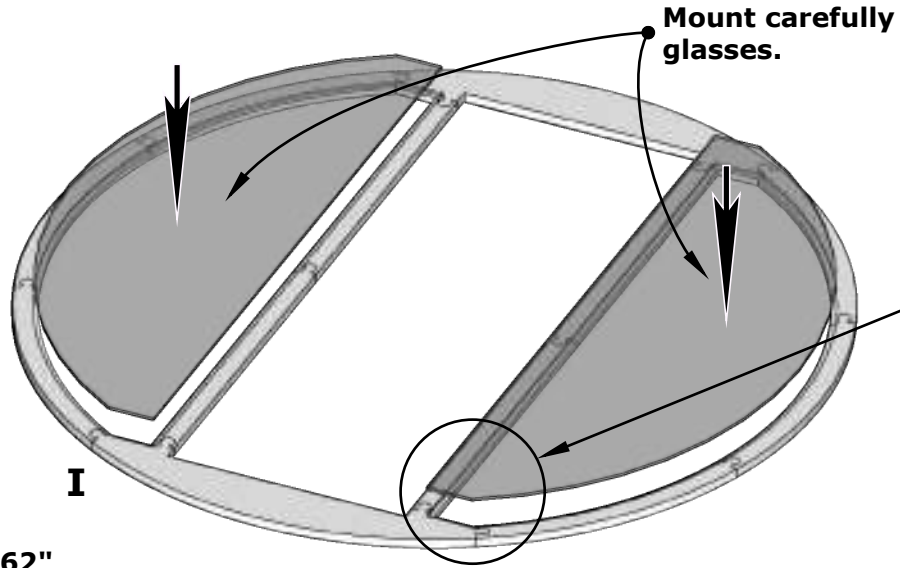
Baseframe 1.06"



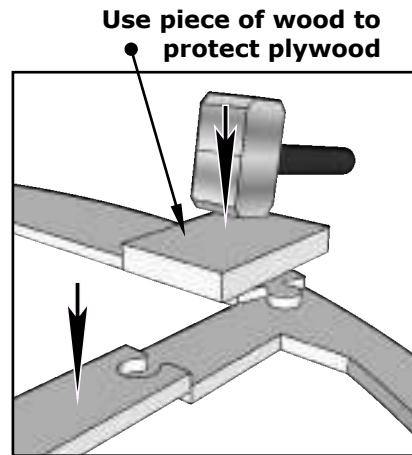
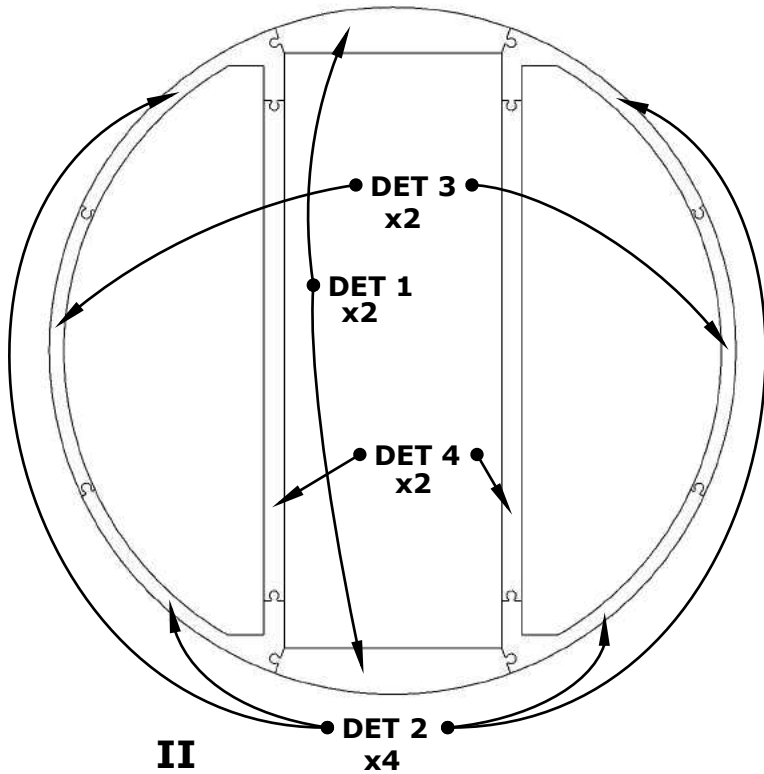
Apply waterproof silicone to the groove



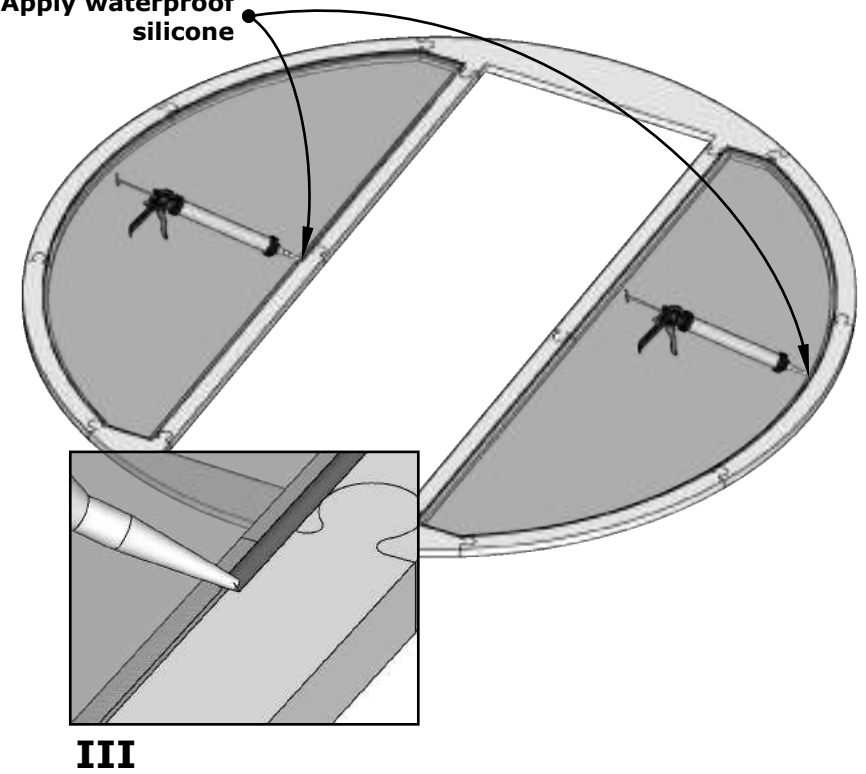
Front glass wall installation



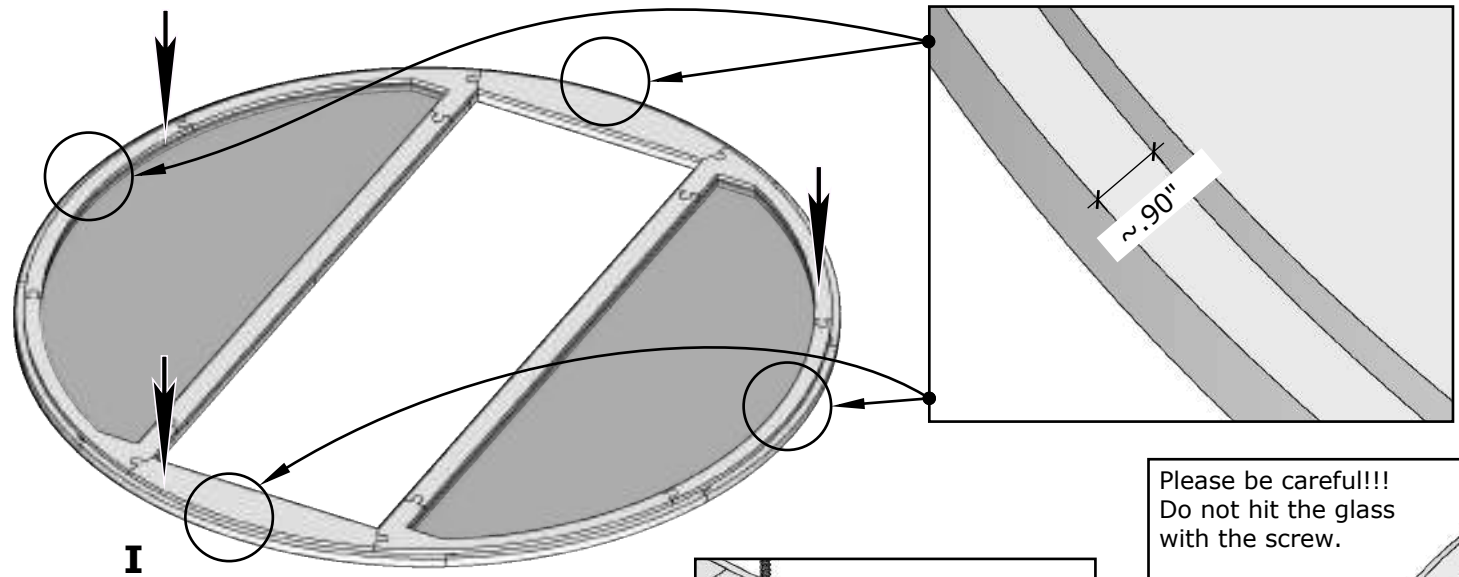
Coverframe .62"



Apply waterproof silicone

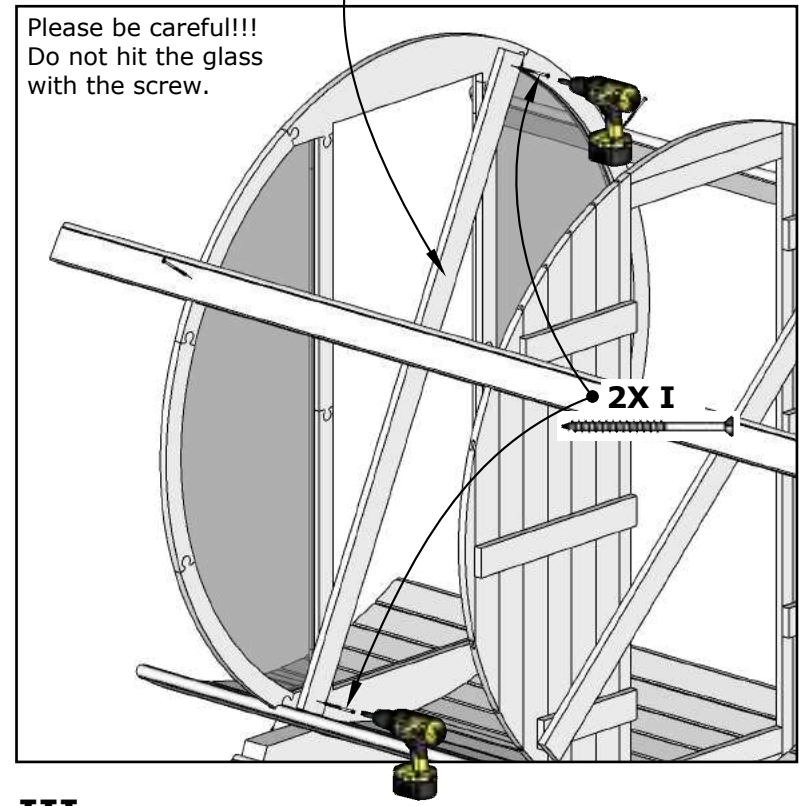


Front glass wall installation

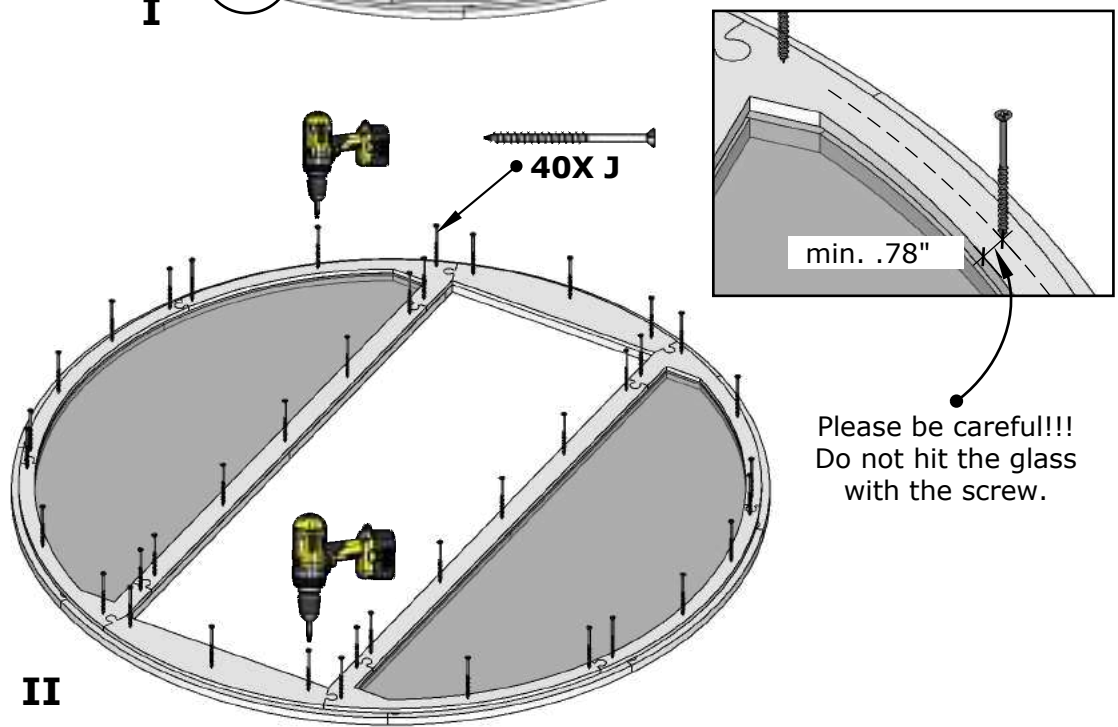


DET U

- Fix it diagonally to make wall more rigid during the installation.

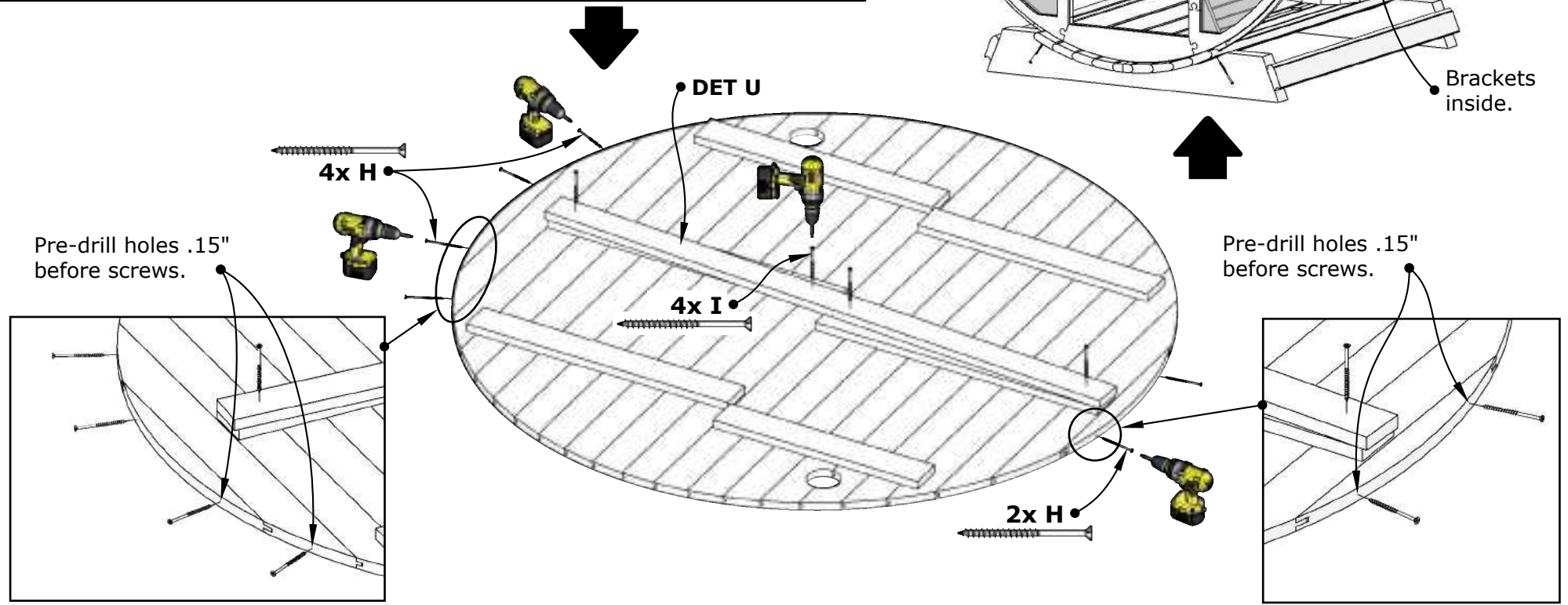
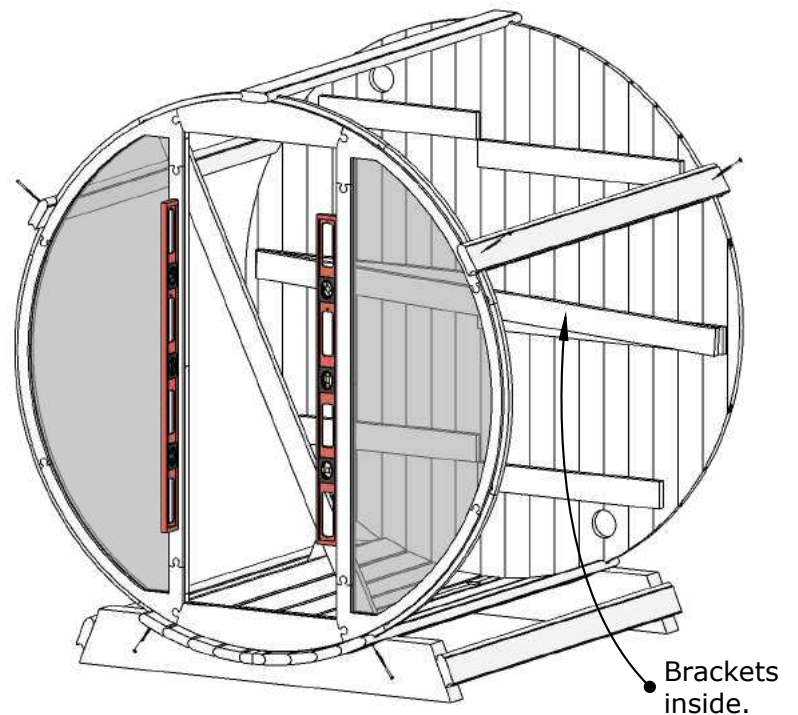
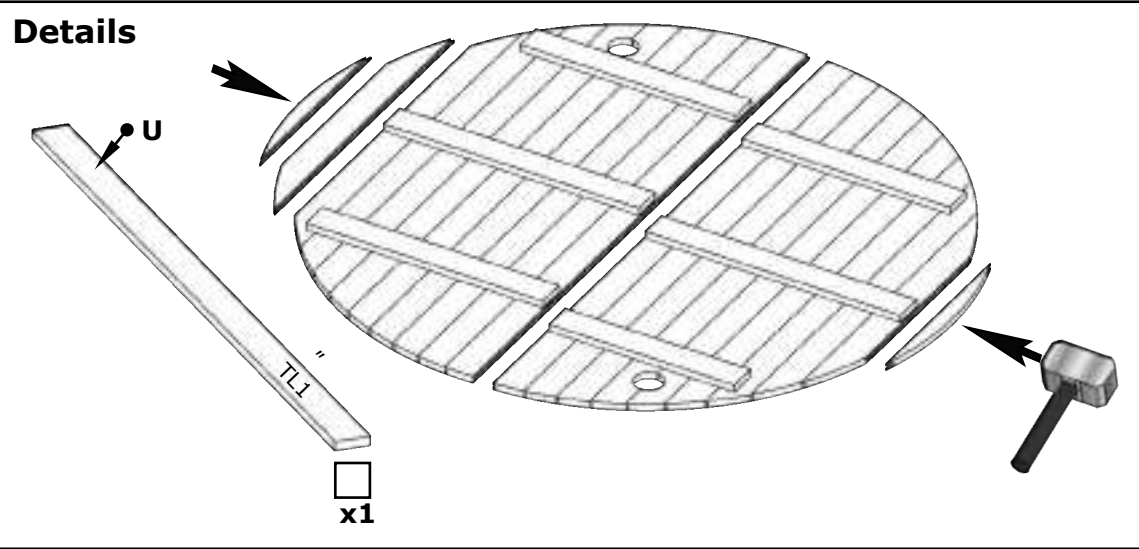


III

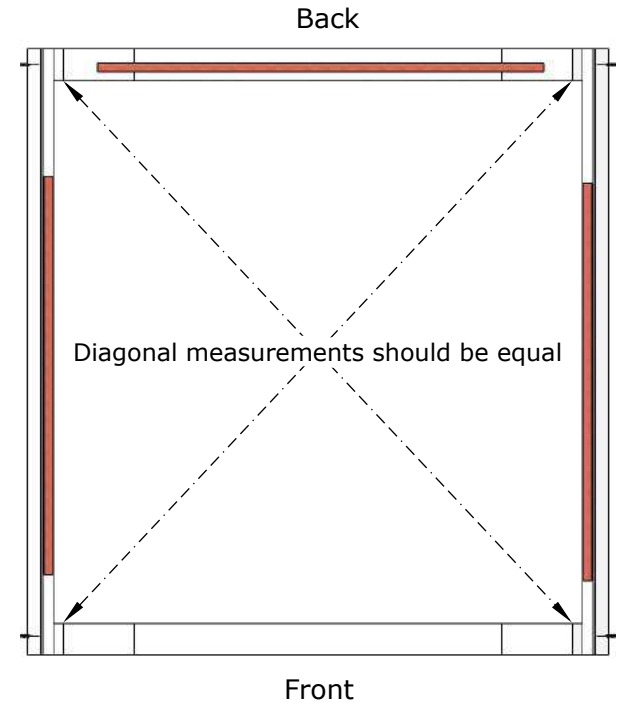
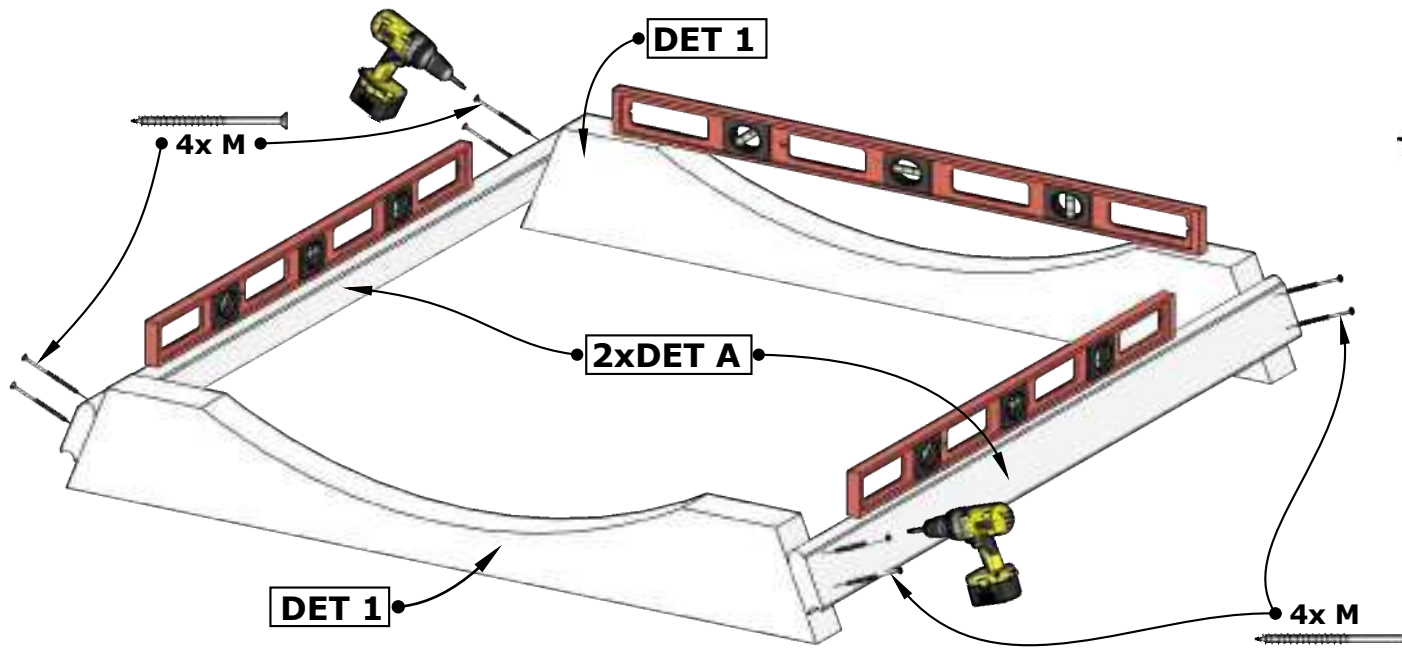


II

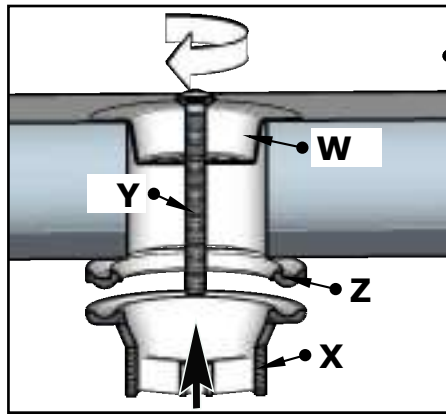
Wooden back wall assembly



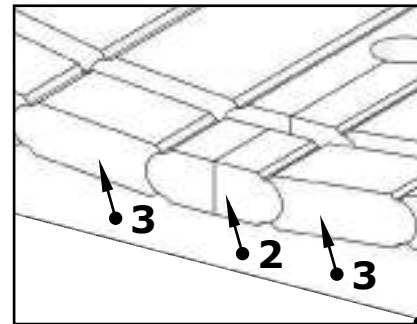
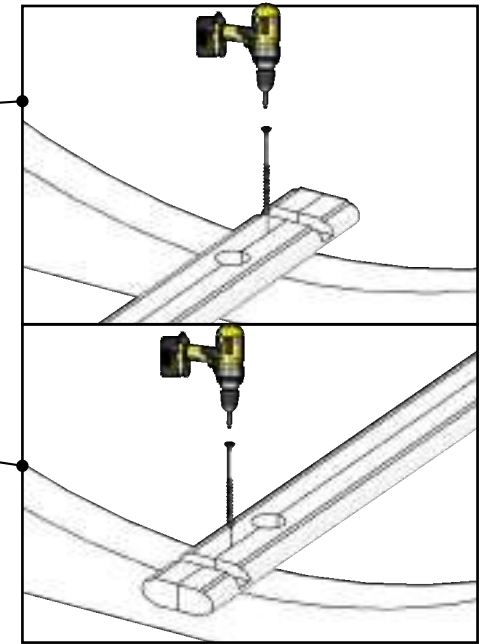
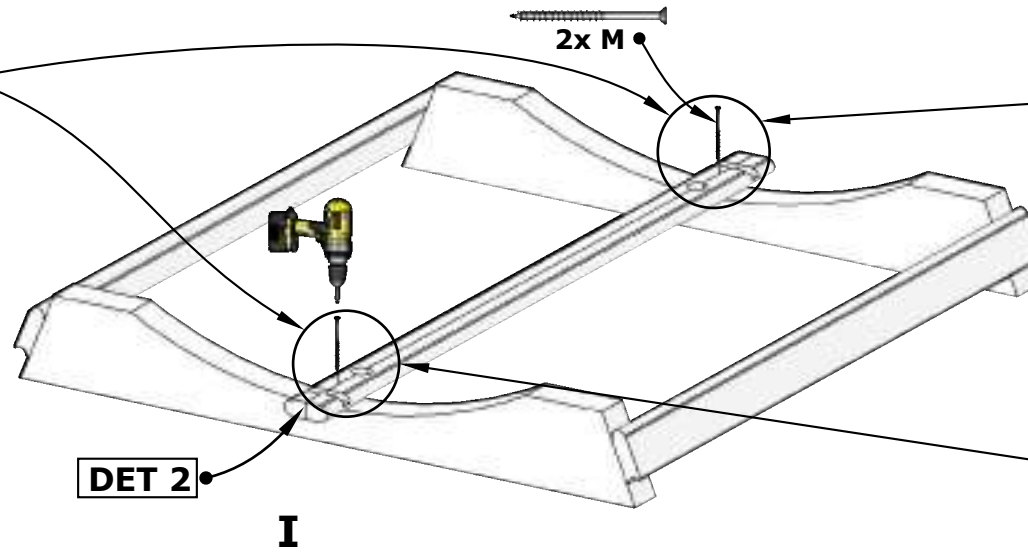
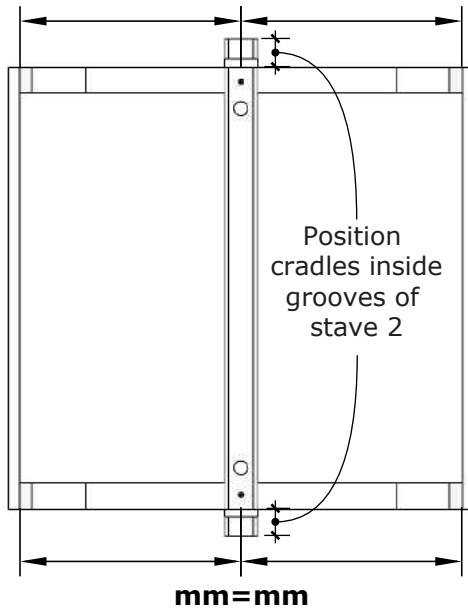
EE8G Barrel Sauna 79D" x 90H"



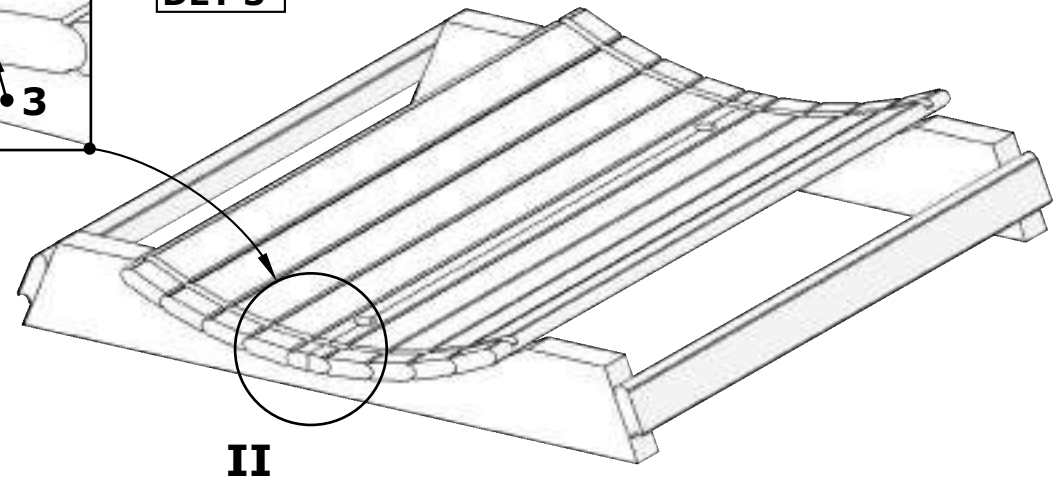
EE8G Barrel Sauna 79D" x 90H"



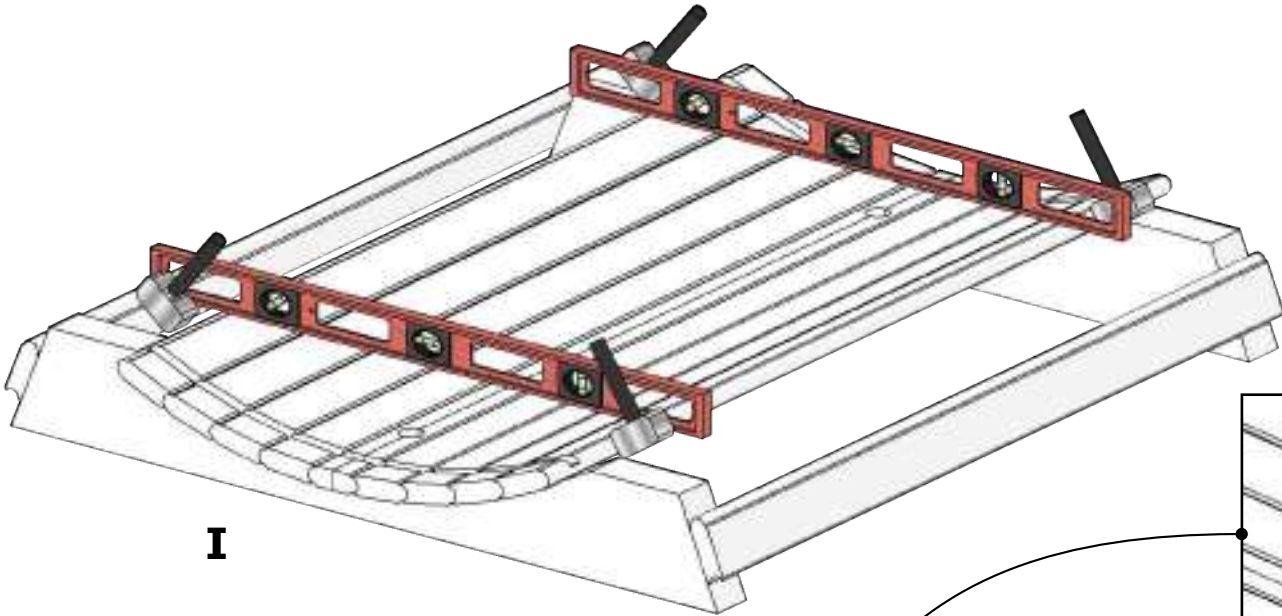
Center stave 2 on cradle 1



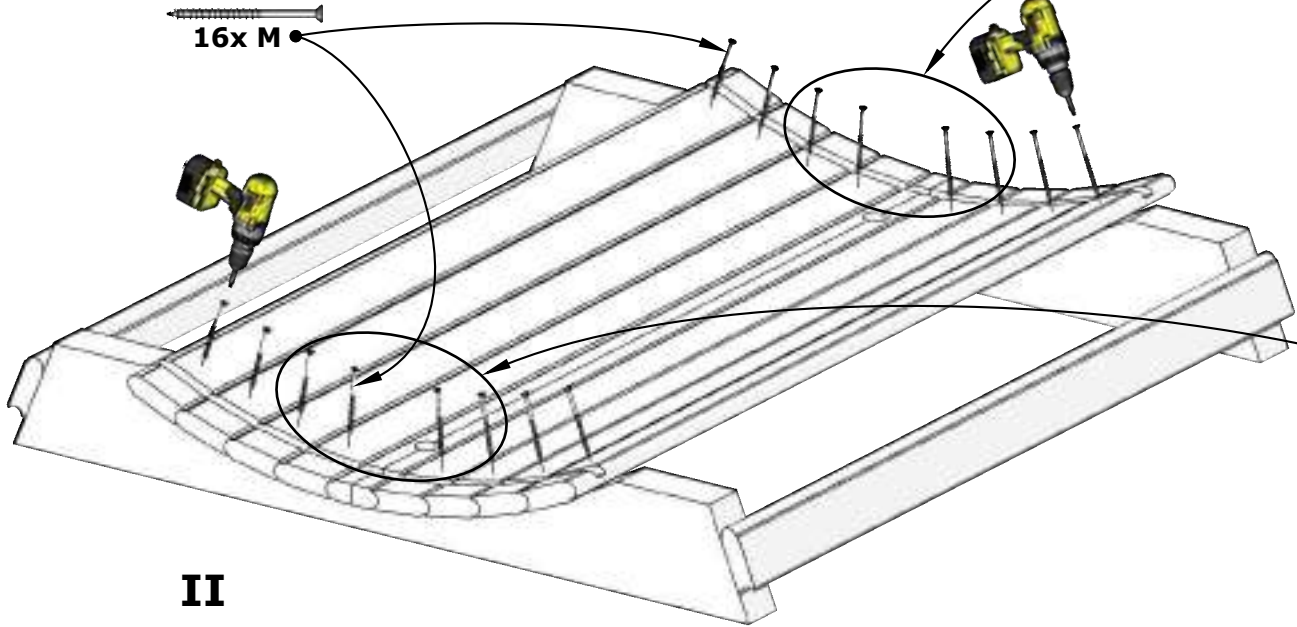
DET 3



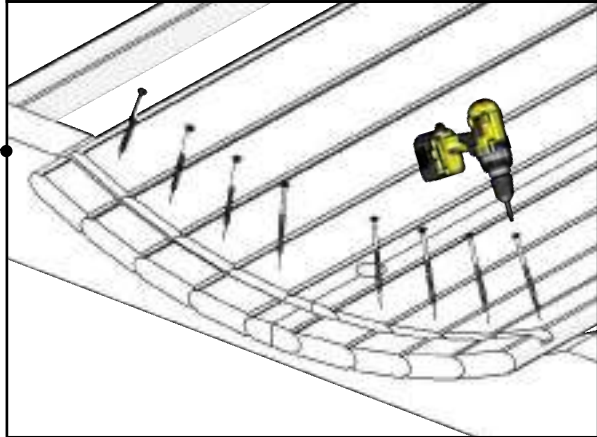
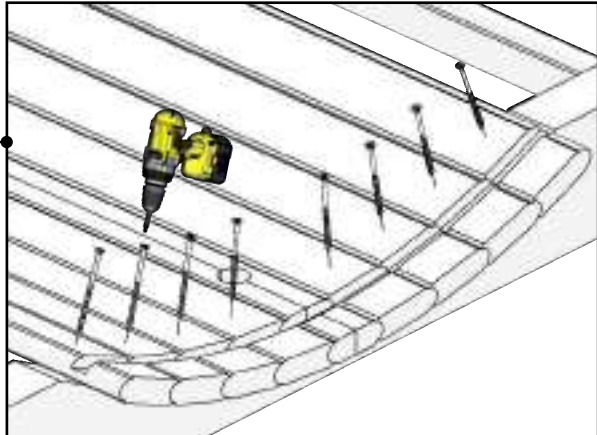
II



I

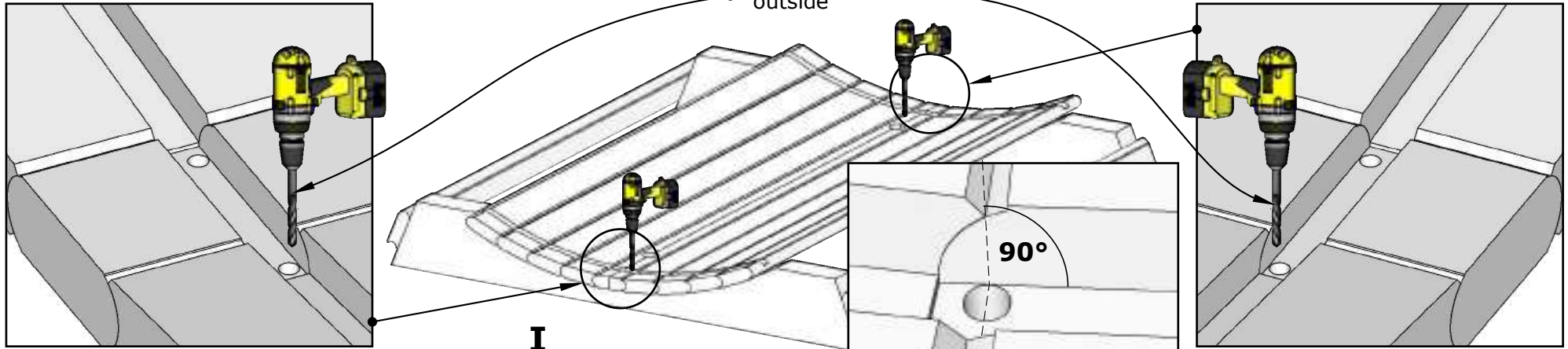


II

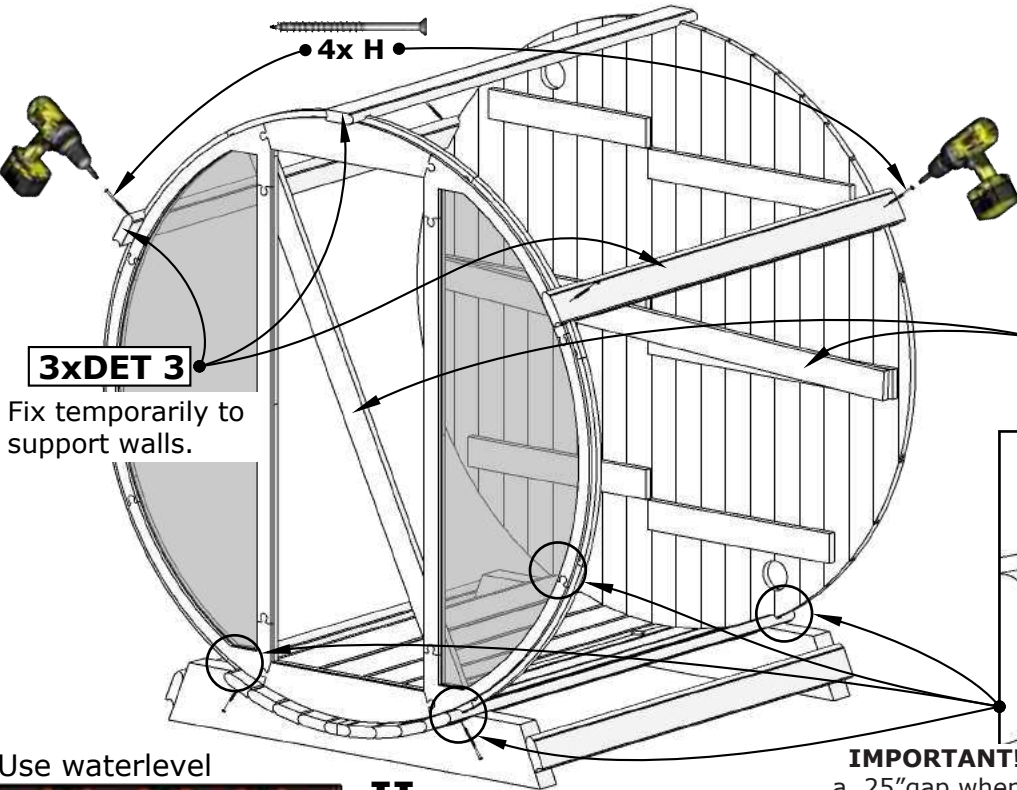


EE8G Barrel Sauna 79D" x 90H"

Drill 4 holes .50" through DET 2 outside



I



3xDET 3
Fix temporarily to support walls.

4x H

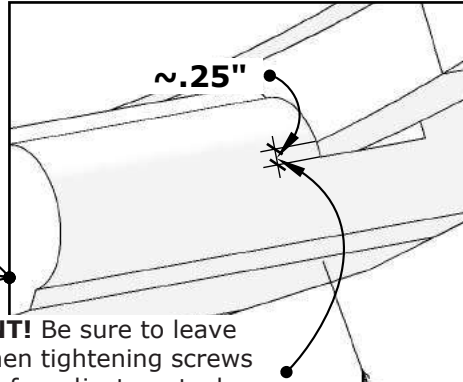
Brackets inside



II

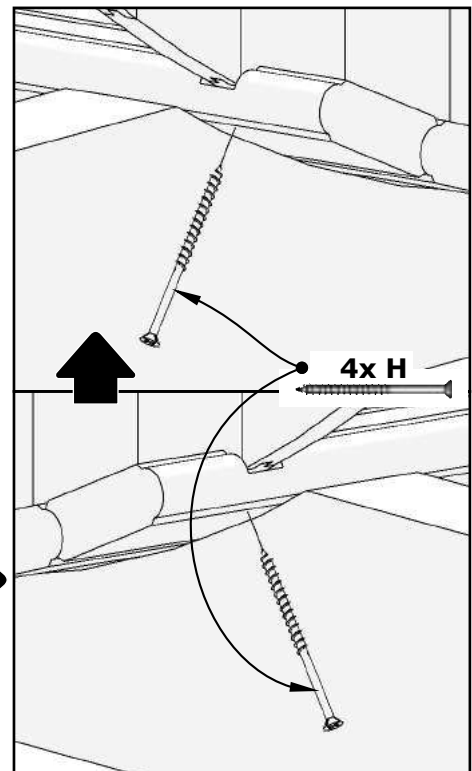
Check walls installation manual on extra pages!

Sauna wall configuration depends on Your model!

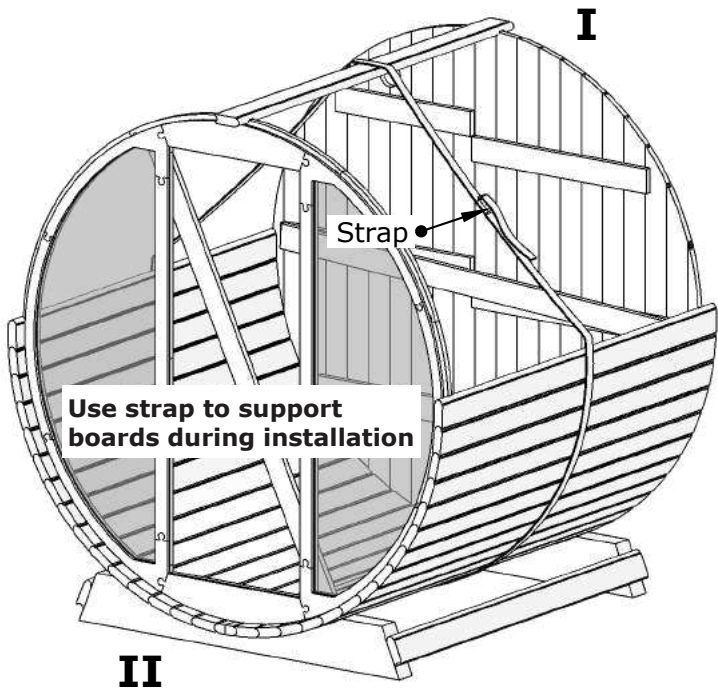
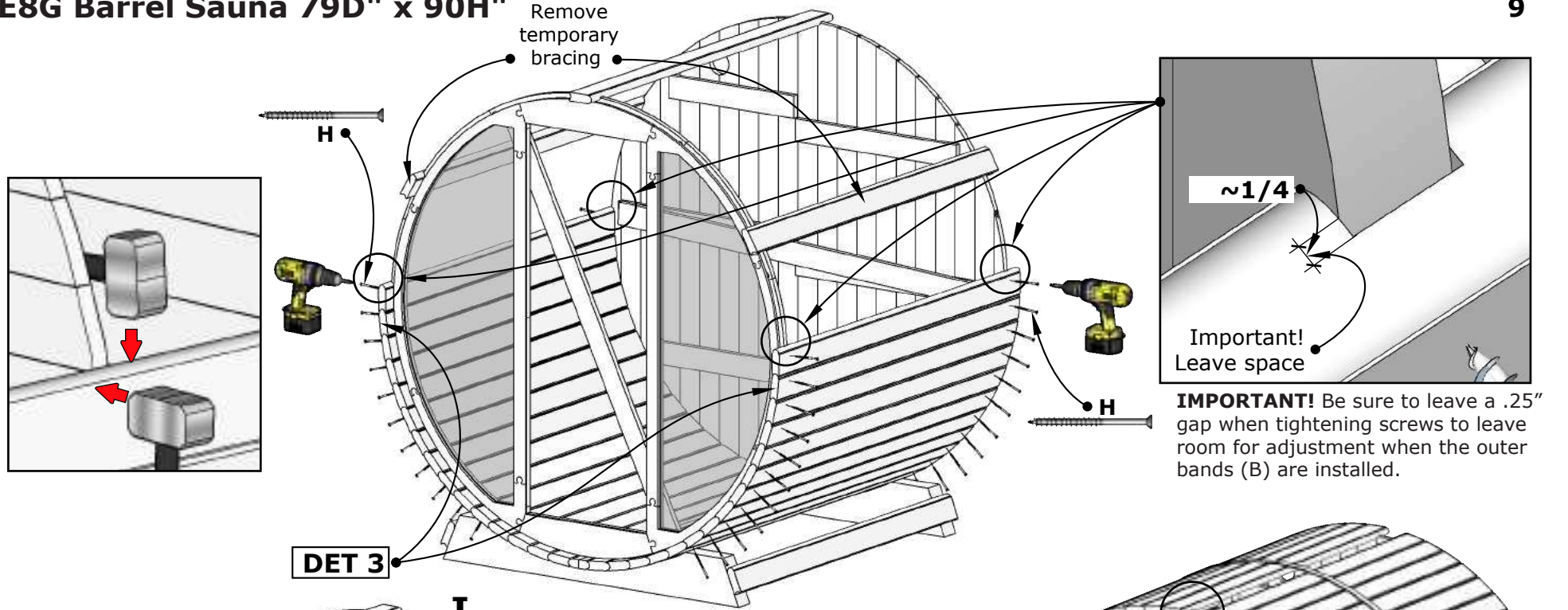


~.25"

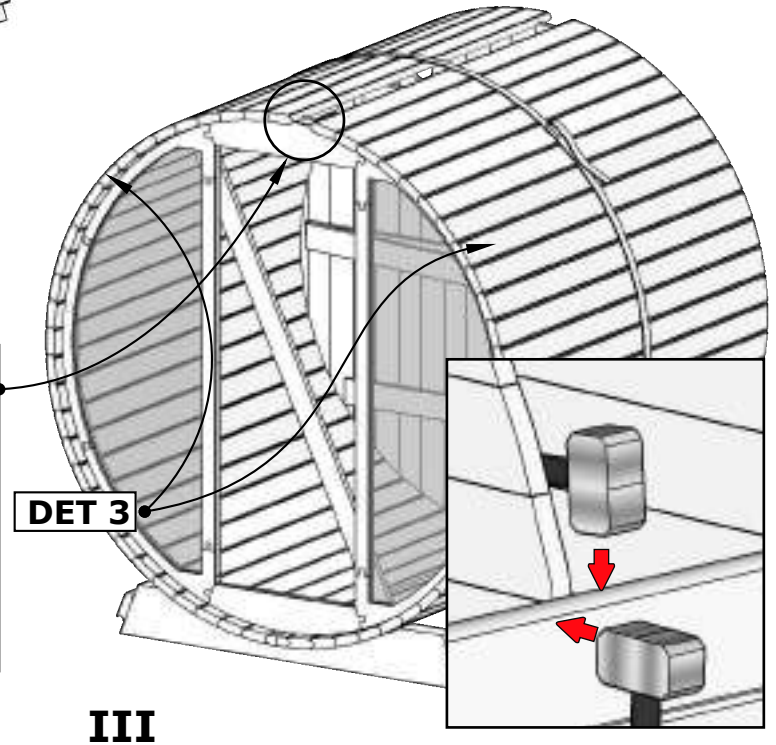
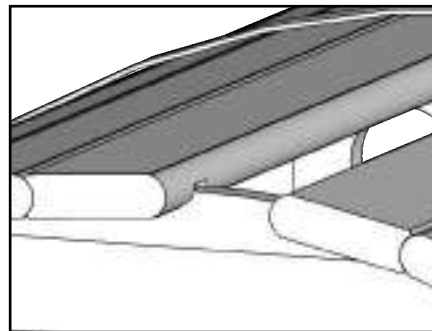
IMPORTANT! Be sure to leave a .25" gap when tightening screws to leave room for adjustment when the outer bands (B) are installed.



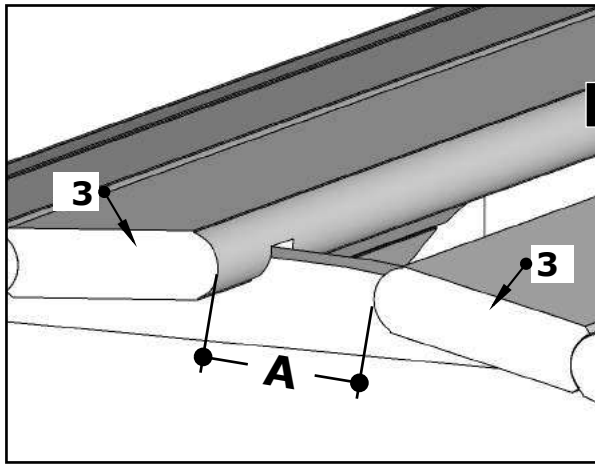
4x H



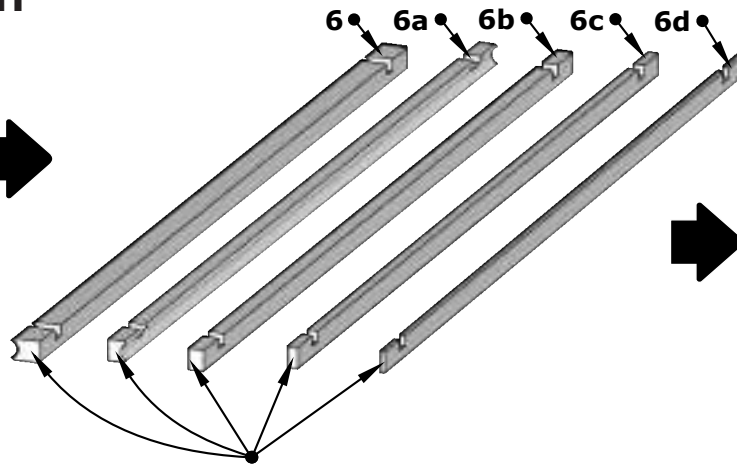
See the next page.



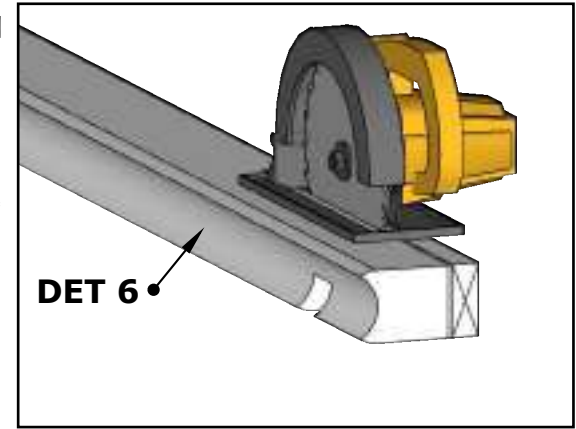
EE8G Barrel Sauna 79D" x 90H"



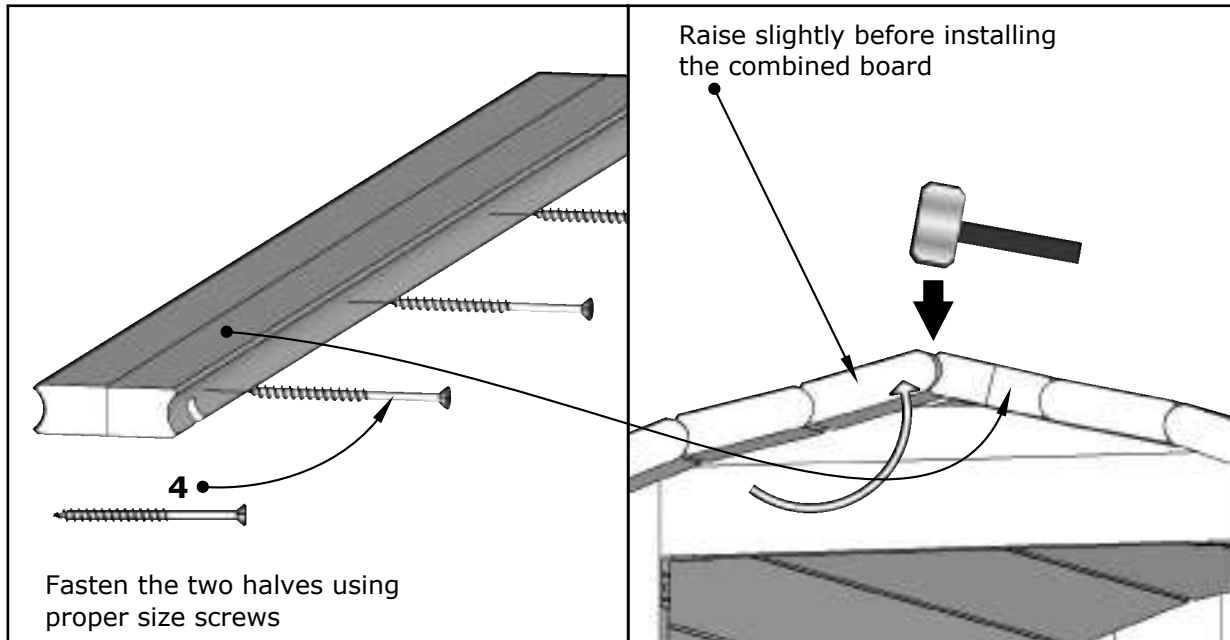
I



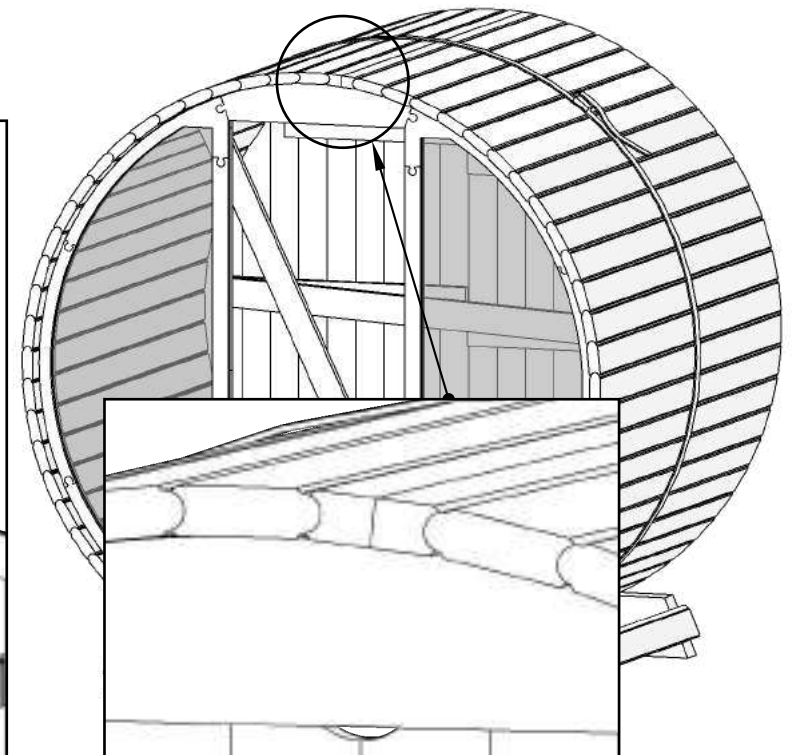
Join two boards together (as shown in diagram II) that will bridge the width of the "A" gap. It is recommended that the combined boards are approximately .25" wider than the gap.



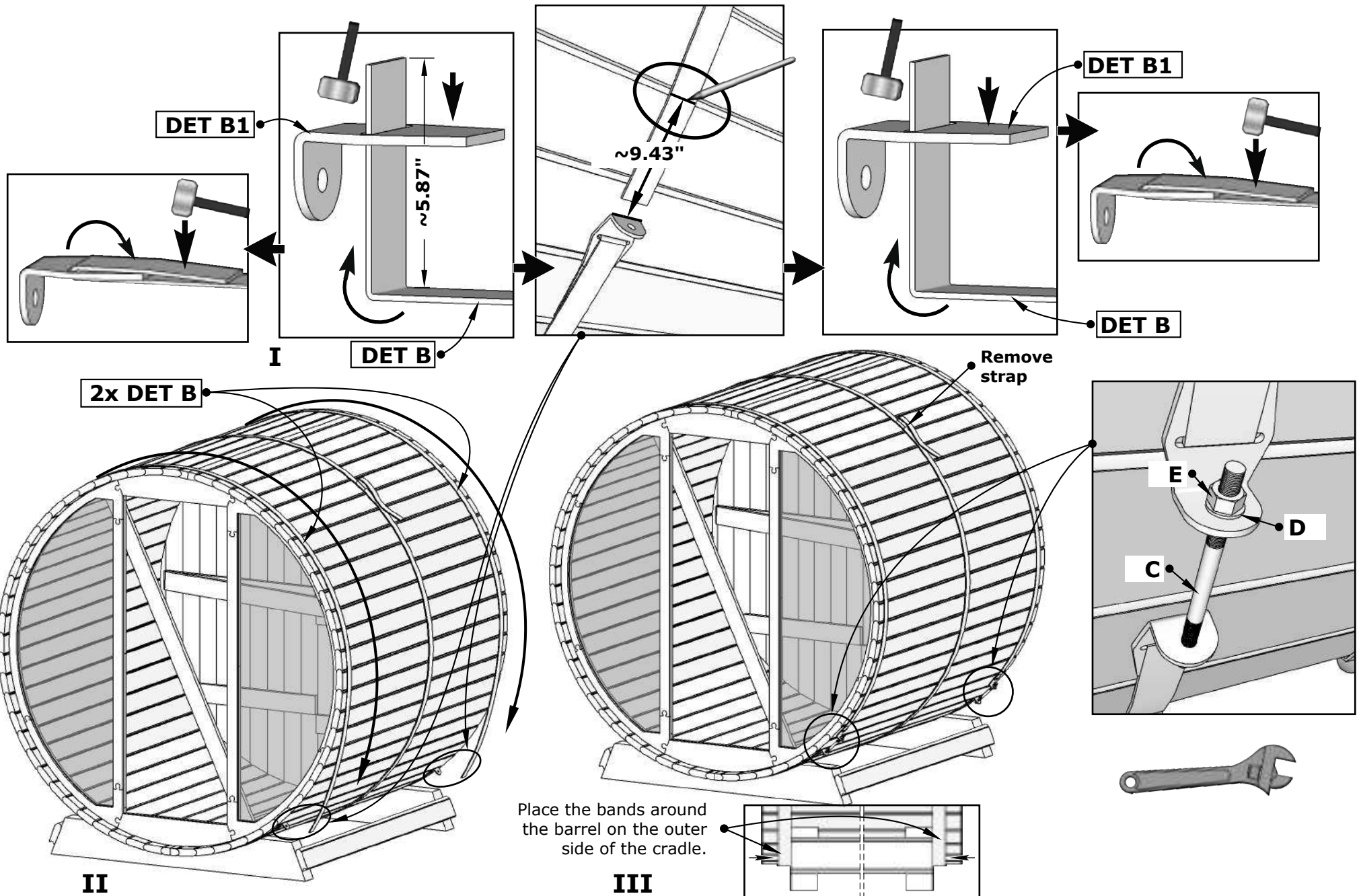
If needed, trim the flat edge of the board to create the desired width.



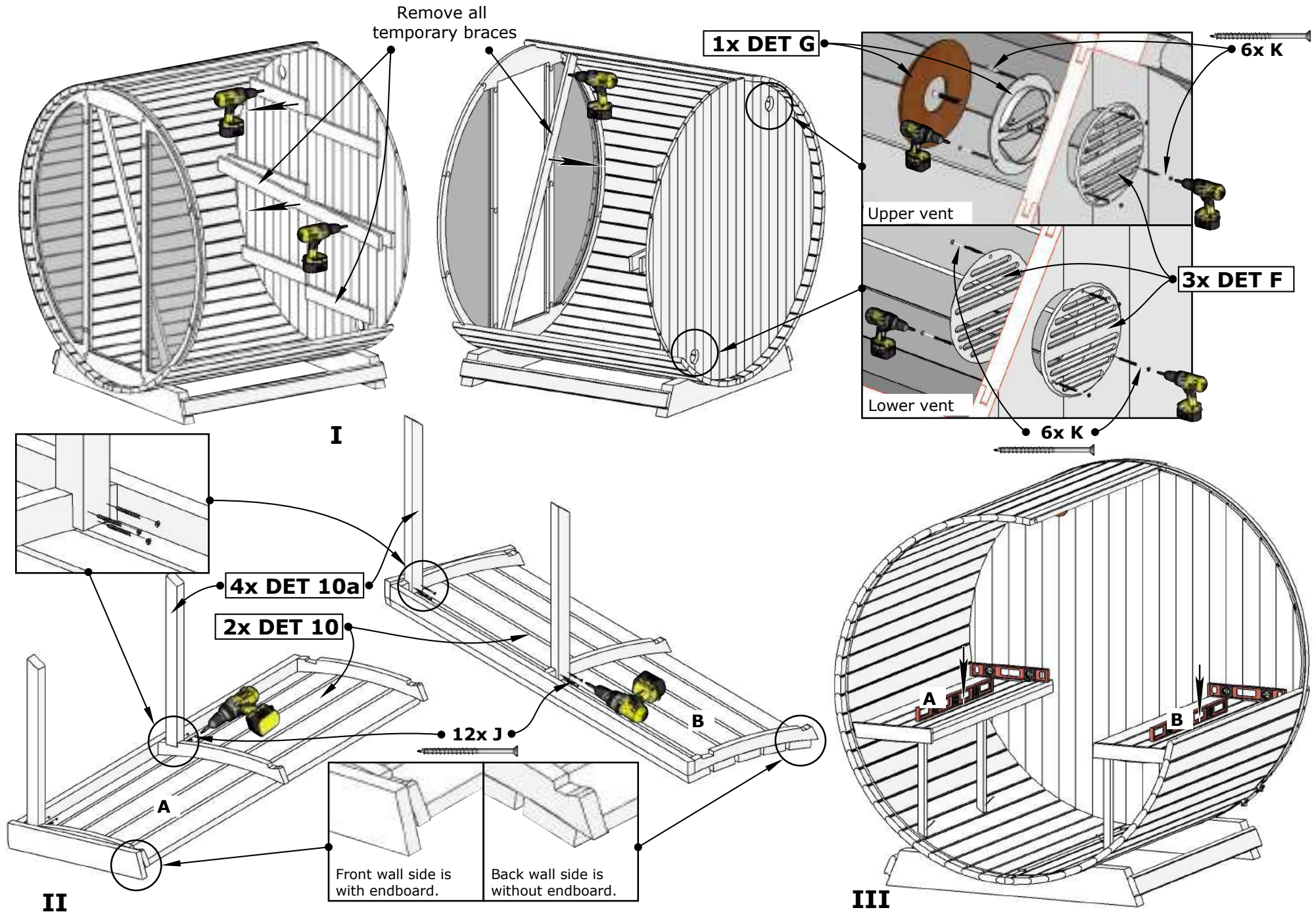
II



III

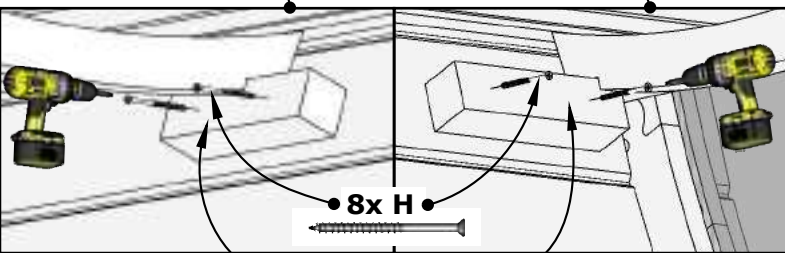
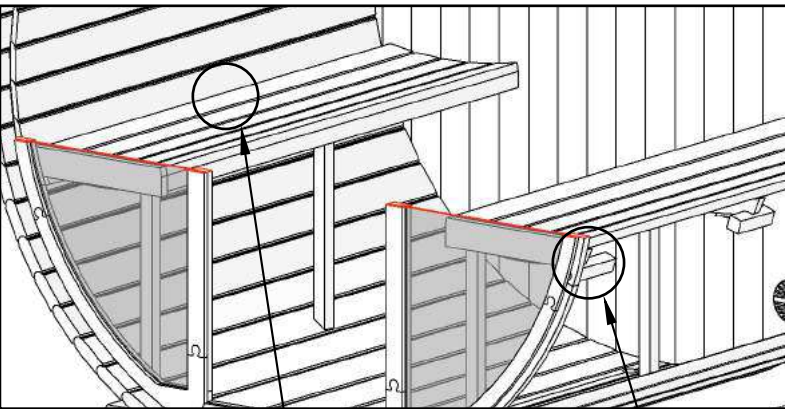
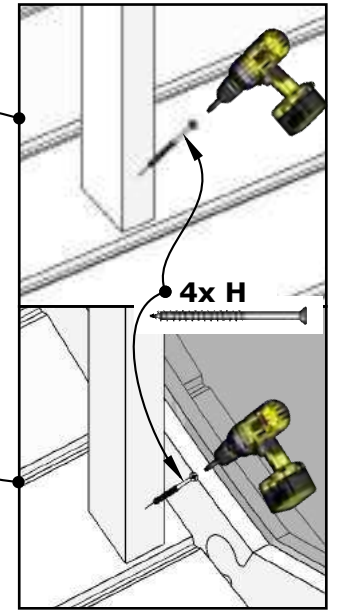
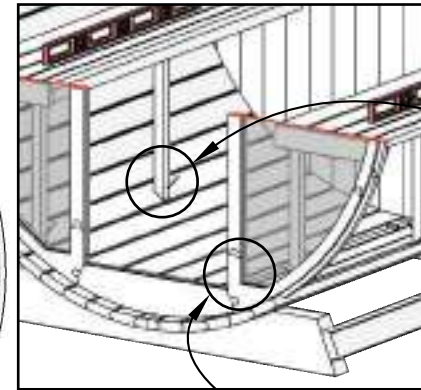
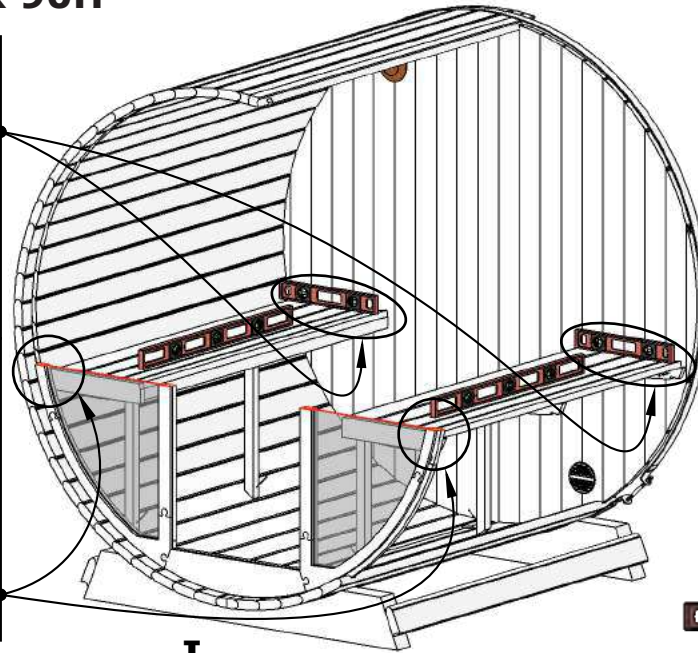
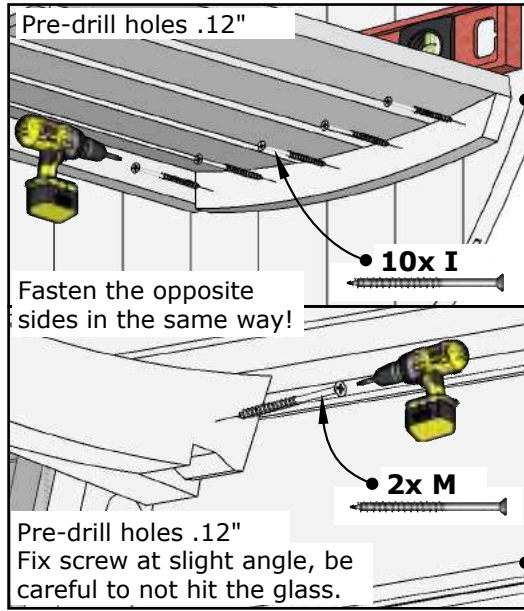


EE8G Barrel Sauna 79D" x 90H"

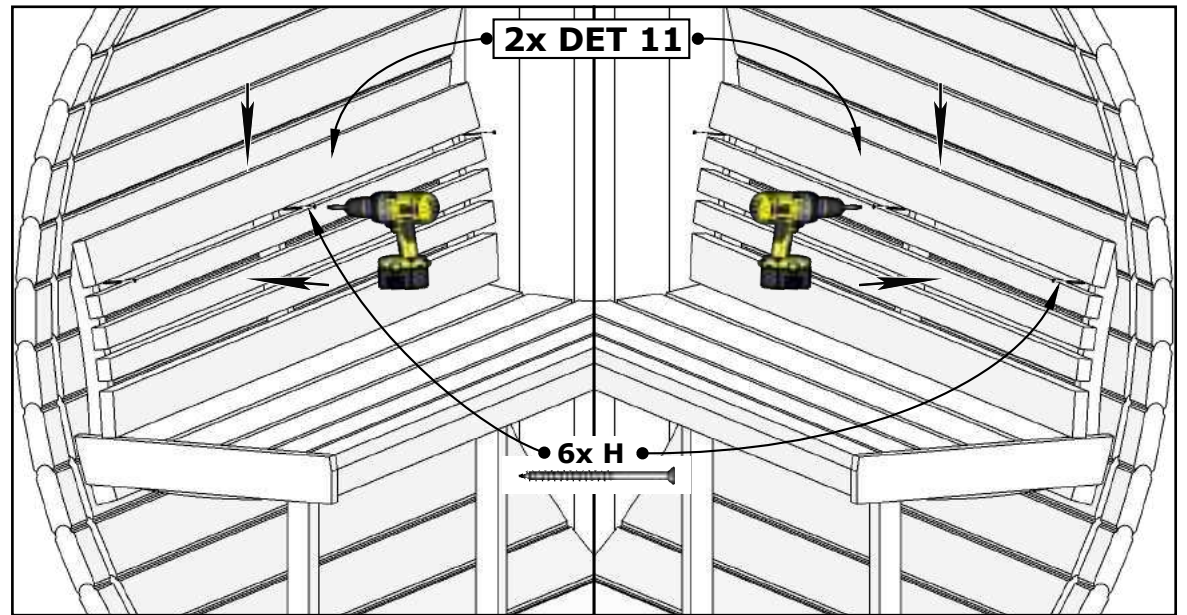


EE8G Barrel Sauna 79D" x 90H"

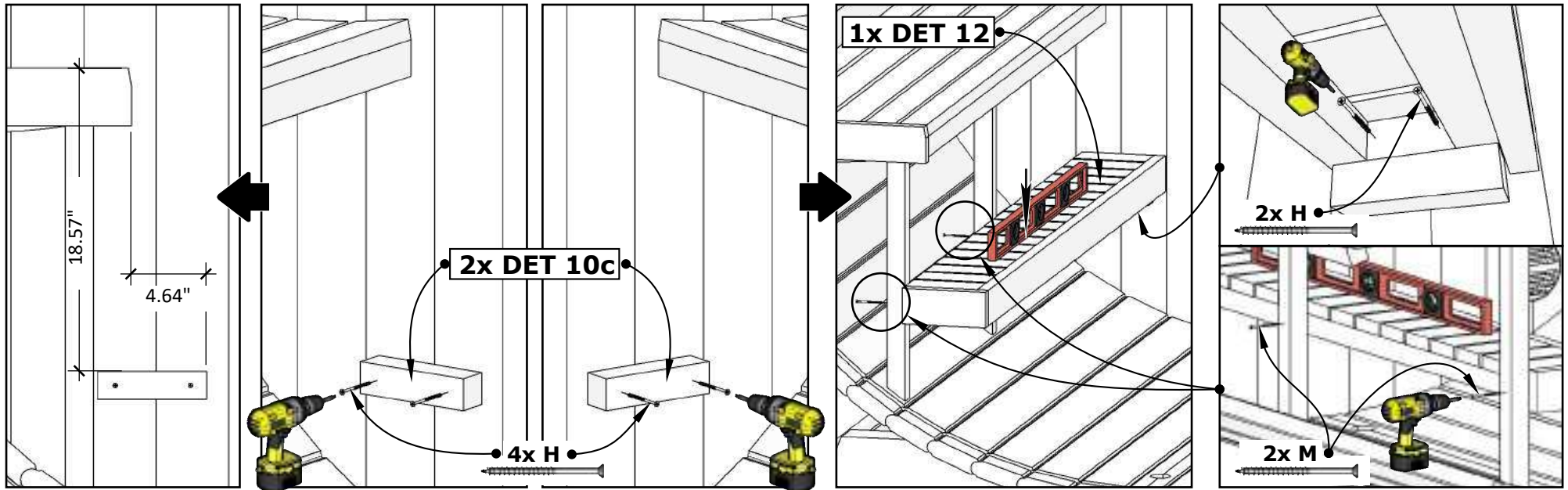
13



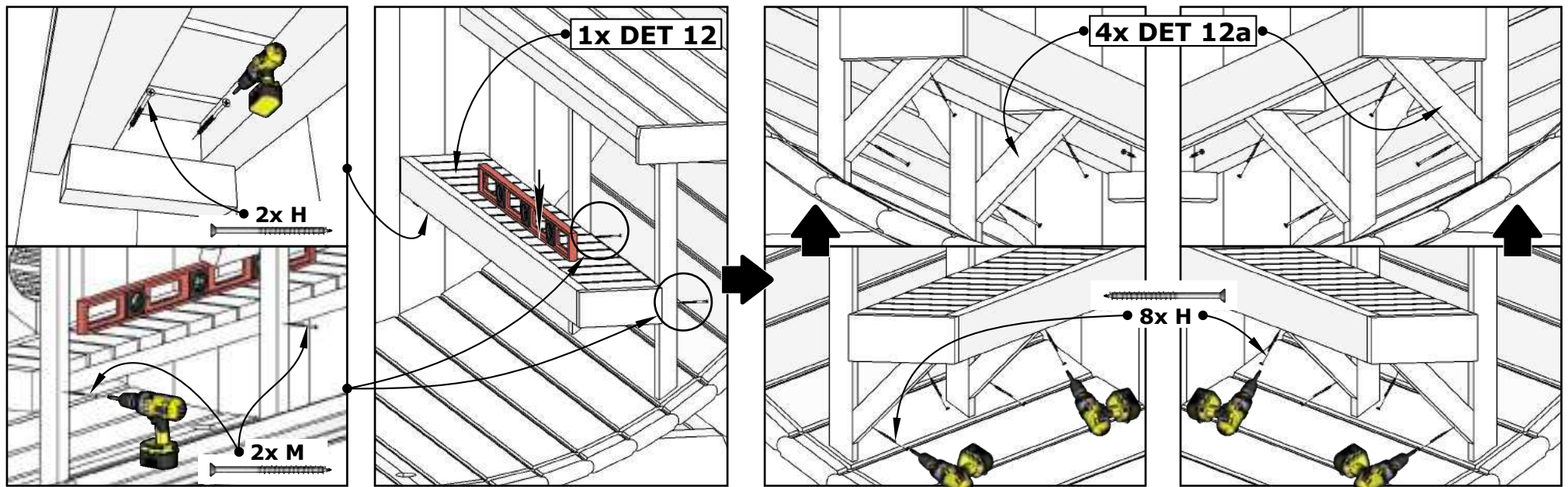
II



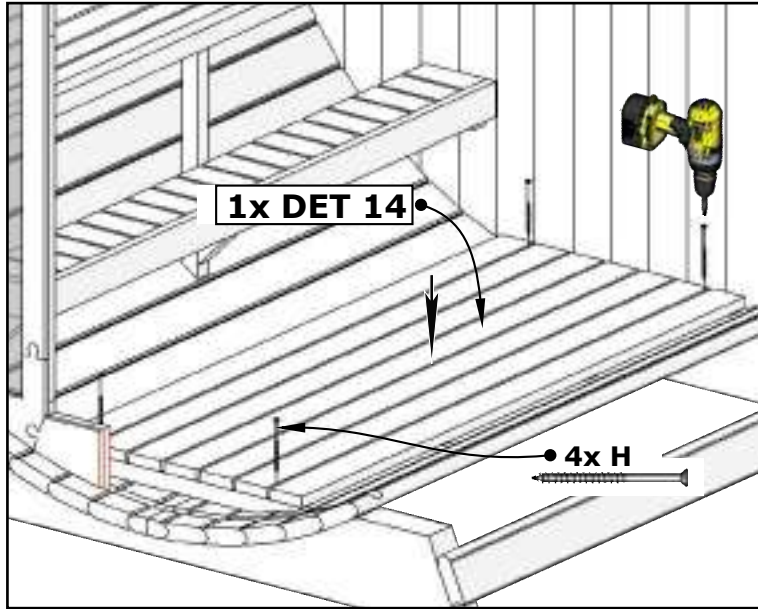
III



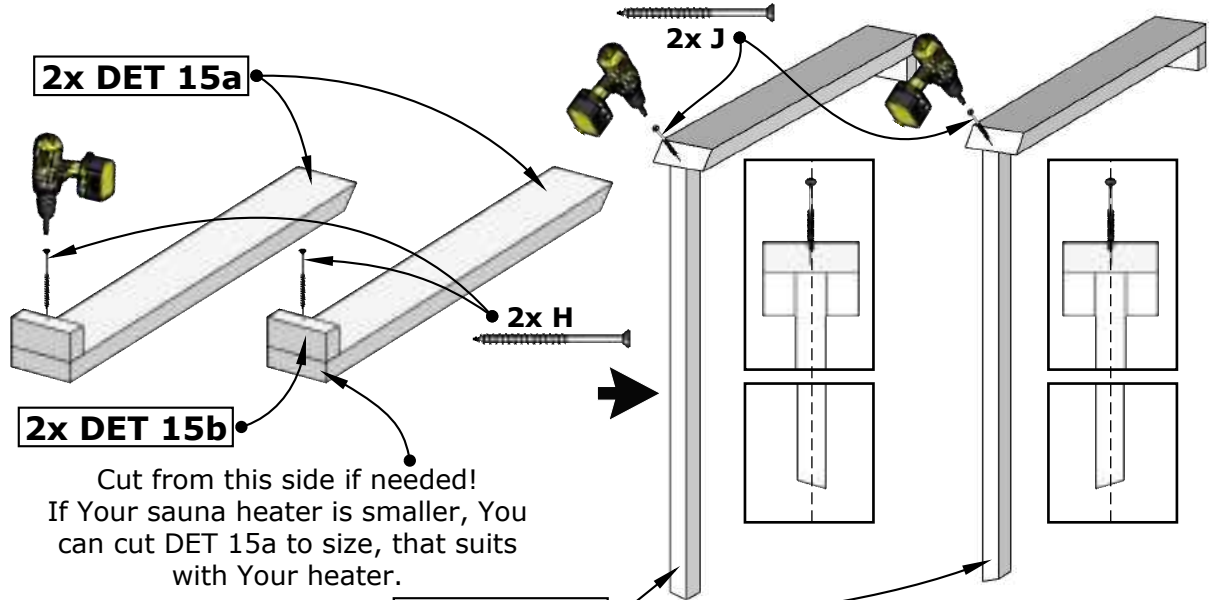
I



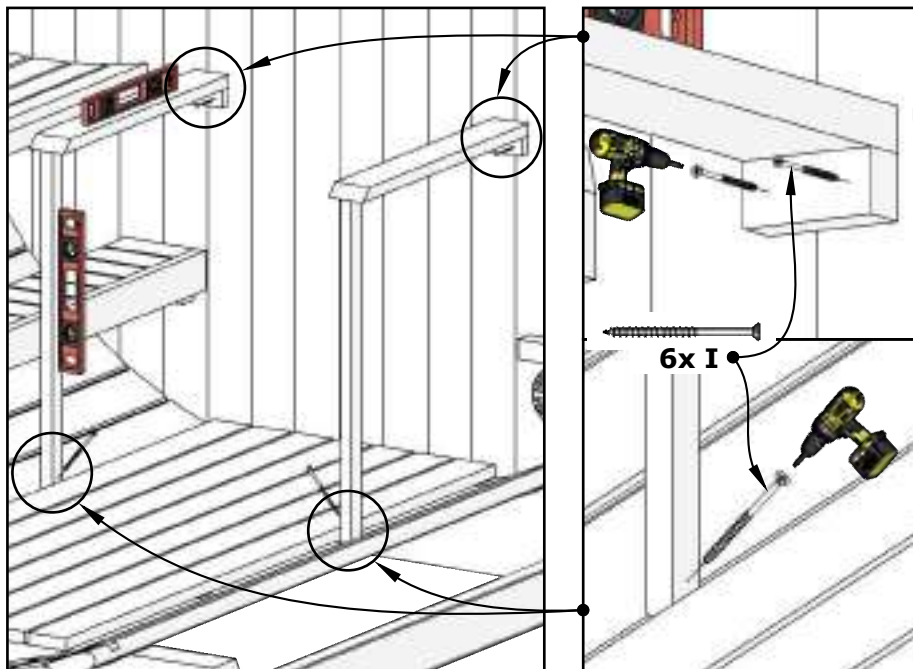
II



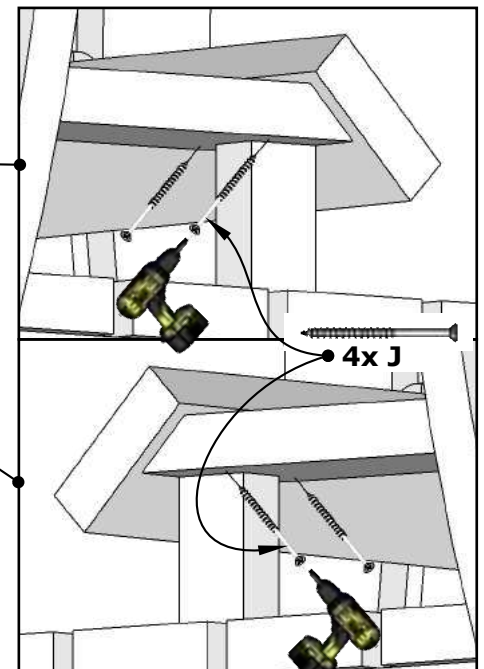
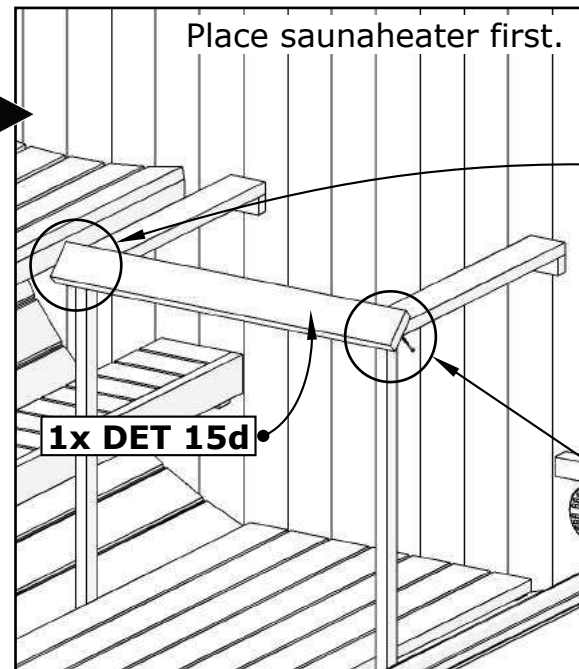
I



II

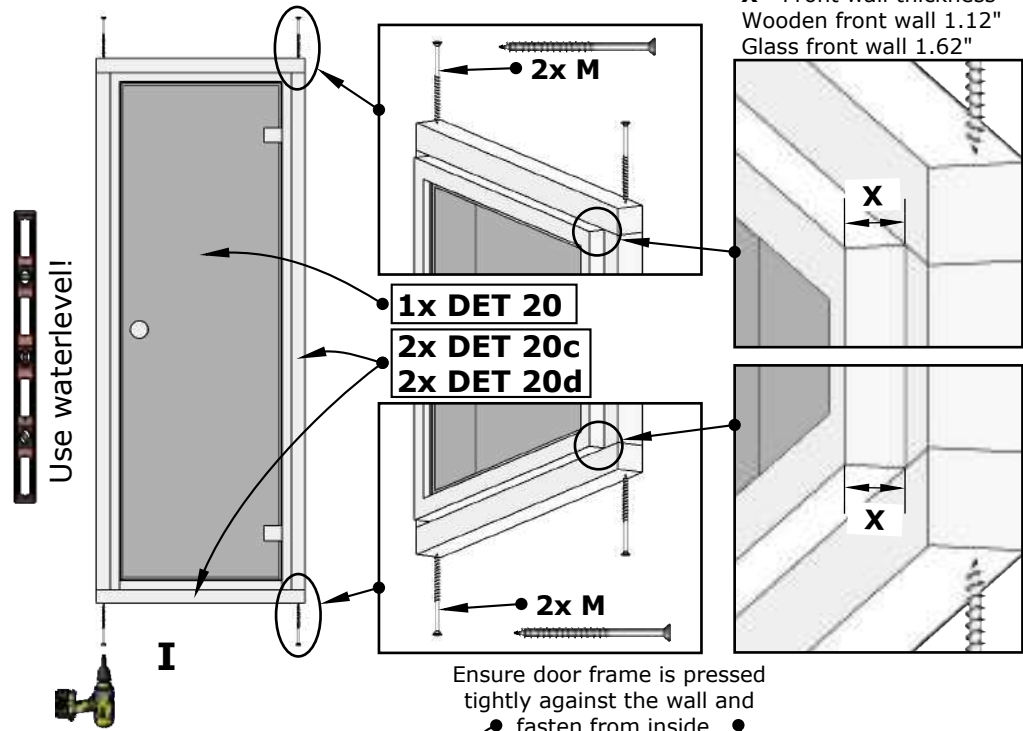


III

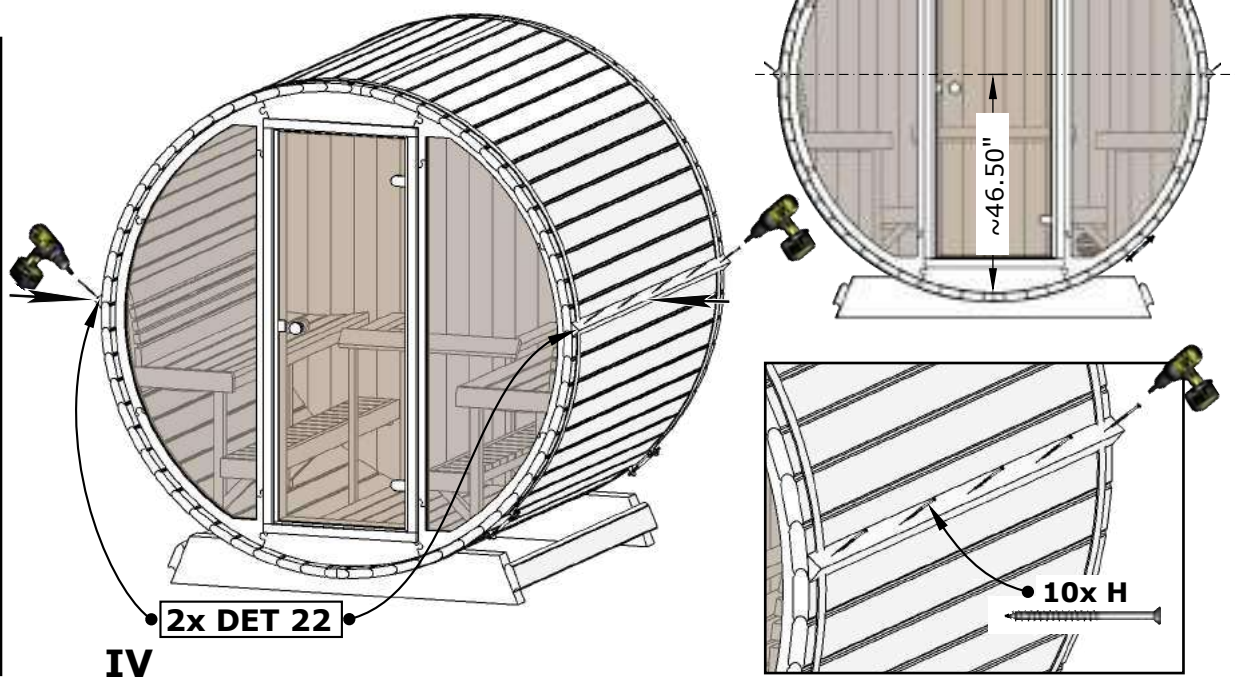
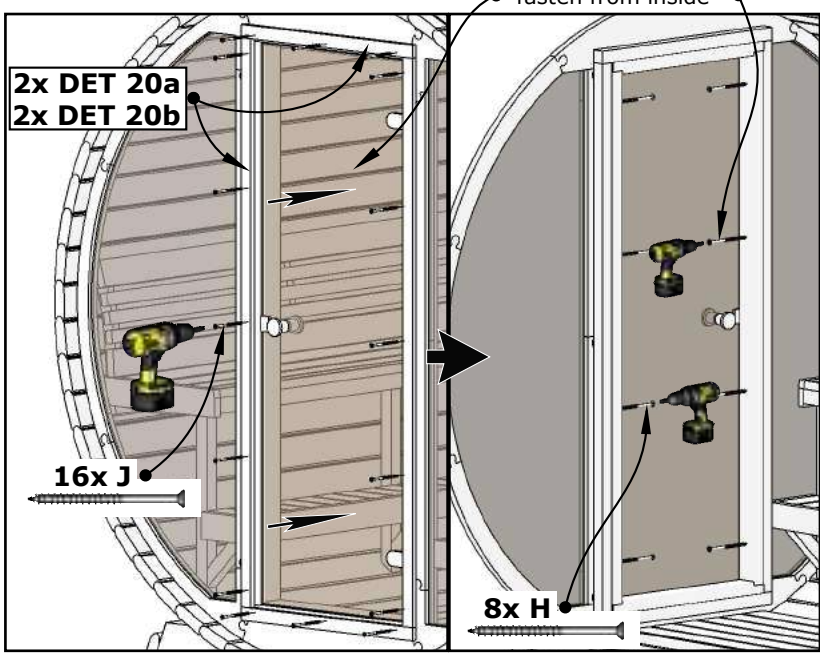
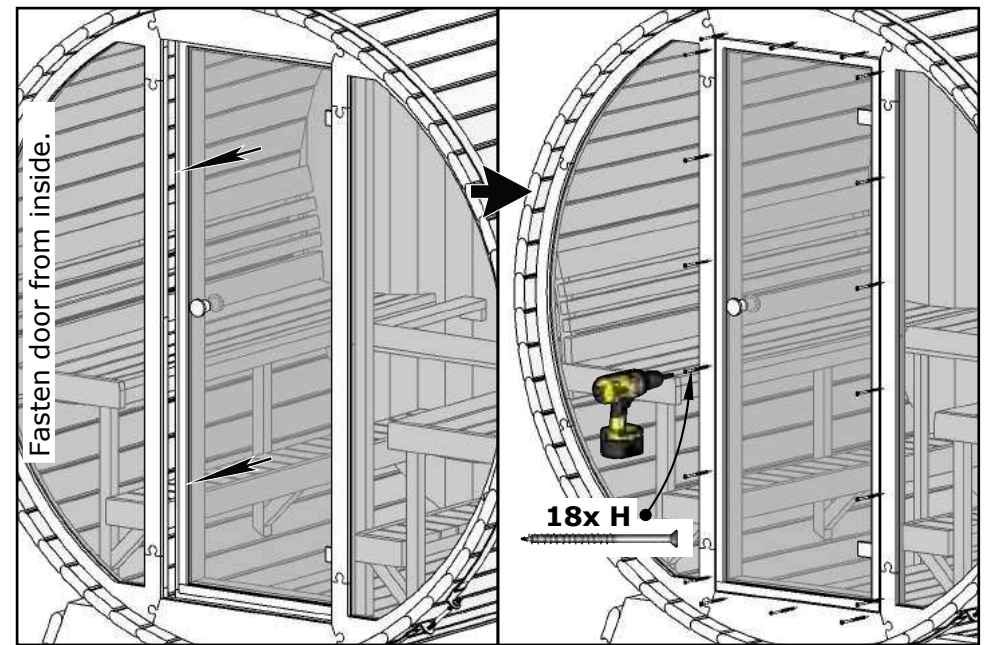


EE8G Barrel Sauna 79D" x 90H"

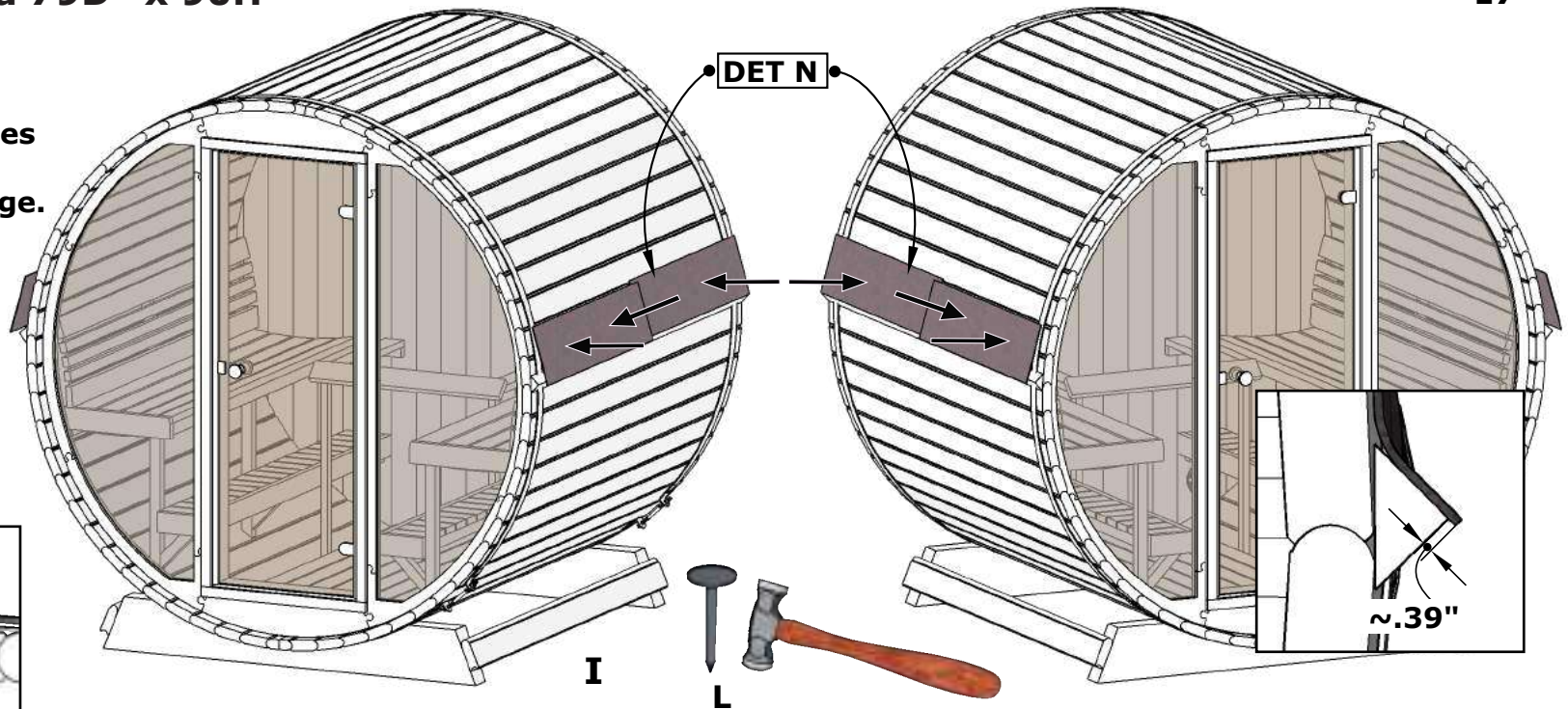
X= Front wall thickness
 Wooden front wall 1.12"
 Glass front wall 1.62"



Ensure door frame is pressed tightly against the wall and fasten from inside



NB! Check also shingles installation manual inside shingles package.



Check also roof shingles installation manual inside package.

